

FURRIION

RV CHEF COLLECTION

FGH4ZSA-SS



Vibrationsmart
Designed and tested
for vibration resistance



Climatesmart
Designed and tested
for extreme climates

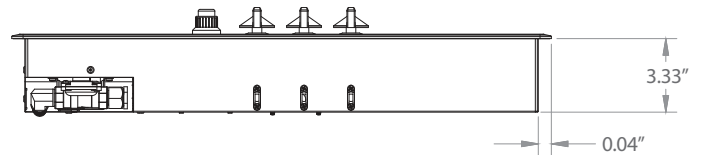
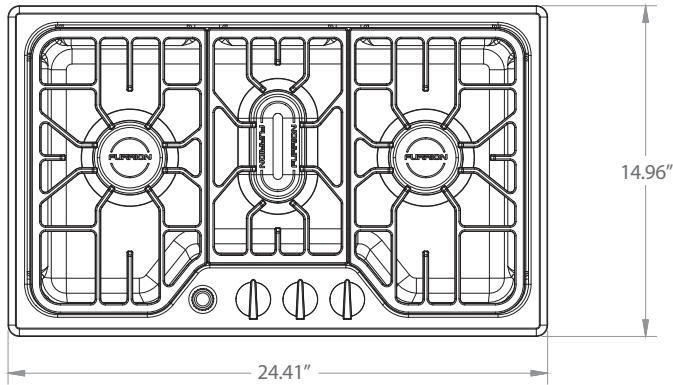


STAINLESS STEEL GAS COOKTOP

Explore new cooking possibilities with gas burners that give you greater control over a wide range of heat. Hand Crafted to perfection with Climatesmart™ and Vibrationsmart™ technology to ensure maximum product performance and safety on the move. Whether your RV is traditional, modern or somewhere in between, the contemporary and minimalist design will work beautifully with your décor.



RV CHEF COLLECTION



Specification

Heat input	7500BTU for each burner
Pulse ignition	1.5VDC
Number of Gas burner	3
Burners well fixed and removable	✓
Gas safety cut off valve	✓
Cast Iron grate	✓
LP regulator included	✓

Dimensions

Glass Size	
Product Size	12.5" x 15" x 2.6"

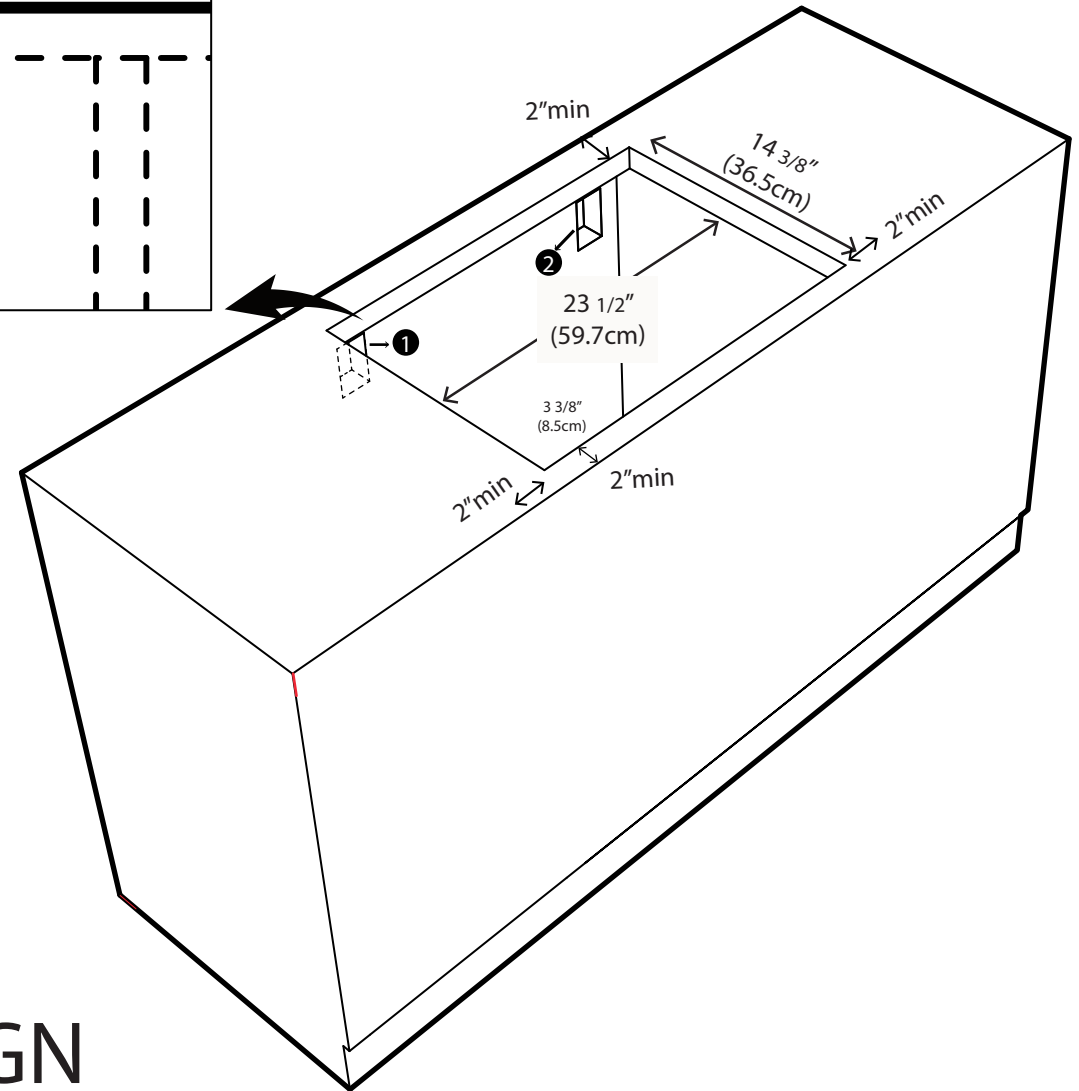
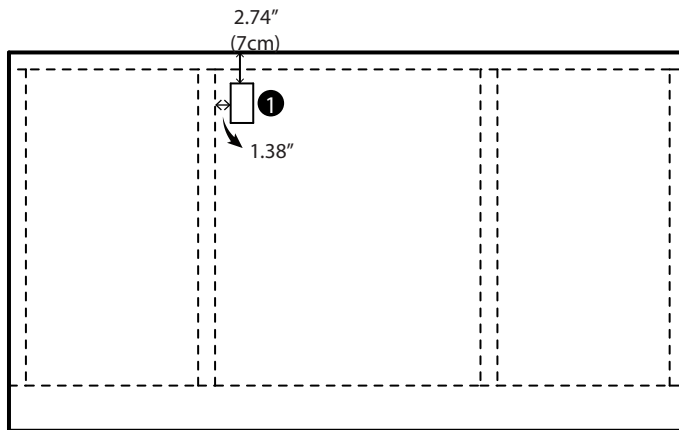
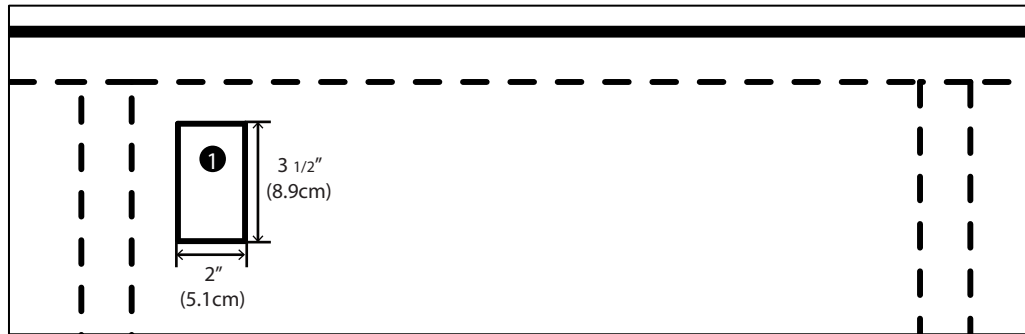
Packaging

Packaging type	Carton Box
Quantity per level 1 (pcs)	4
Packaging Dimensions	14.4" x 18.7" x 17.5"
Packaging Gross Weight (lb)	30.9
Packaging Net Weight (lb)	24.3



FURRION BUILT-IN COOK TOP INSTALLATION

① gas pipe Connect hole

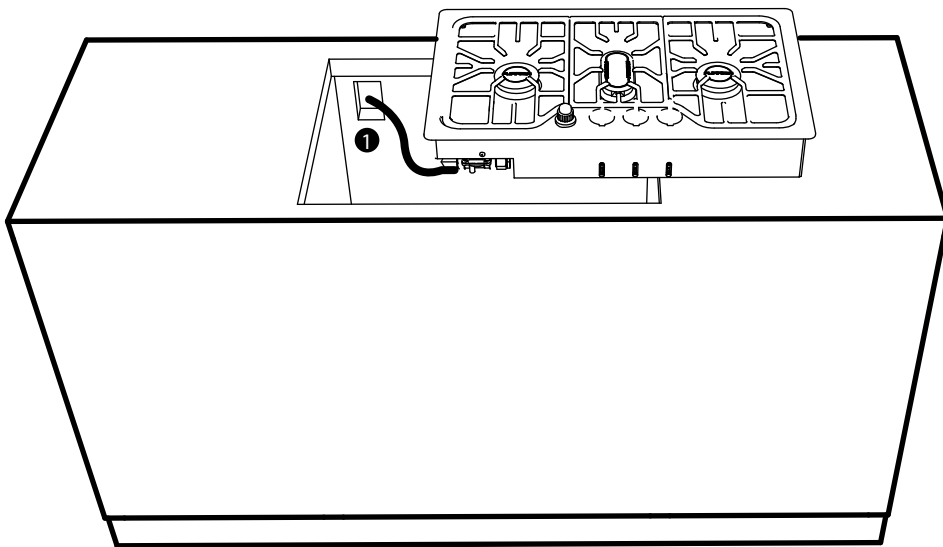


STEP 1 - CABINET DESIGN

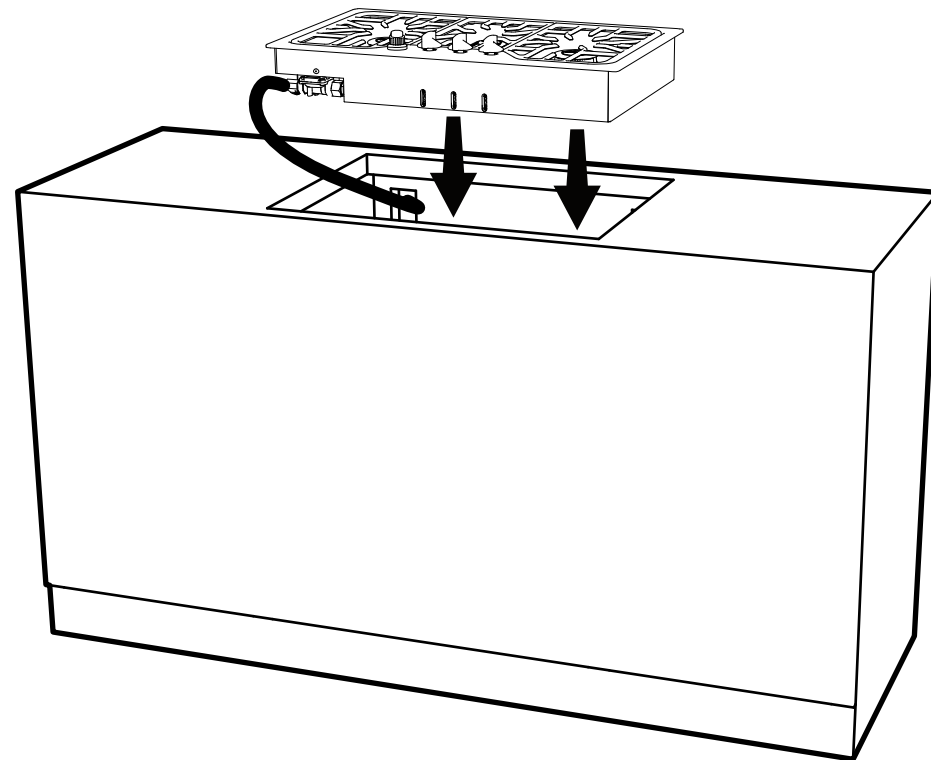
FURRION

STEP 2 - CONNECT THE GAS

1 gas pipe Connect hole



STEP 3 - INSTALL THE COOKTOP



FURRION