

INSTALLATION AND OPERATING MANUAL

MODEL F-120 for flush mounting inside a wall only

MODEL H-120 for surface mounting against a wall only

MODEL CM-120 for surface mounting or converting to flush mounting



**IF YOU SHOULD HAVE ANY QUESTIONS OR EXPERIENCES A PROBLEM WITH YOUR INTERVAC
PRODUCT, DO NOT RETURN THIS PRODUCT TO THE STORE OR DEALER
PLEASE CALL OUR CUSTOMER SERVICE DEPT. AT: 1-888-499-1925**

WARNING: Owner read carefully.

This manual must be read and understood before installation, adjustment, service or maintenance is performed.

This unit should be installed by a qualified technician.

**Modification of this product can be extremely hazardous and could result in
personal injury or property damage. Instructions must stay with unit.**



**InterVac Design Corp., Palm City, FL 34990
Phone 772-463-1400 • USA & Canada toll free 888-499-1925
www.garagevac.com • e-mail: info@garagevac.com**



Polarization Instructions for models H120 and CM120 (with detachable cord) only.

These appliances have a polarized plug (one blade is wider than the other). This plug will fit in a polarized outlet only one way. If the plug does not fit fully in the outlet, reverse the plug. If it still does not fit, contact a qualified electrician to install the proper outlet. Do not change the plug in any way.

When using an electrical vacuum cleaner, basic precautions should always be followed including the following: Read all instructions carefully before using this vacuum cleaner.

WARNING: TO REDUCE THE RISK OF FIRE, ELECTRIC SHOCK, OR INJURY:

1. Do not leave appliance when plugged in. Unplug from an electrical outlet when not in use and before servicing.
2. Do not use outdoors or on wet surfaces.
3. Never operate this vacuum cleaner without a dust bag and filters in place.
4. Close attention is necessary when used by or near children. Do not allow unit to be used as a toy.
5. Use only for intended use as described in this manual. Use only the manufacturer's recommended attachments and dust bag.
6. Do not use with damaged cord or plug. If appliance is not working as it should, has been dropped, damaged, left outdoors, or fell into water, return the vacuum cleaner to InterVac or an authorized service dealer for examination and repair.
7. Do not put any object into openings. Do not use with any openings blocked; keep free of dust, lint, hair and any other material that may reduce air flow. When the secondary filter becomes dirty, rinse in warm water or replace with a new filter. Filter should be completely dry before using.
8. Never drop or insert any object into any opening.
9. Turn off all controls before unplugging.
10. Do not pull or carry by cord, do not use cord as a handle, do not close a door on the cord, or pull cord around sharp edges or corners. Do not run appliance over cord. Keep cord away from heated surfaces.
11. Do not unplug by pulling on cord. To unplug, grasp the plug, not the cord.
12. Keep hair, loose clothing, fingers, and all parts of body away from any openings and all moving parts.
13. Do not pick up anything that is burning or smoking, such as cigarettes, matches, or hot ashes.
14. Use extra caution when cleaning on stairs.
15. Do not handle plug or appliance with wet hands.
16. Do not pick up flammable or combustible liquids such as gasoline, or use in areas where they may be present.
17. Do not place objects against the vacuum cleaner. Keep area clear.
18. Do not step on the hose or pull the hose forcibly.
19. Do not pick up large objects such as waste paper or cloth, which may clog the hose.
20. Do not install this vacuum cleaner in an area exposed to high temperatures.
21. Install this vacuum cleaner in a dry place.
22. Do not attempt to service the vacuum cleaner. Unit is sealed and can not be opened without damage to the unit. For service, call your local authorized service dealer, or InterVac Design's Customer Care Center.

SAVE THESE INSTRUCTIONS

LIMITED WARRANTY

InterVac Design Corp. will repair the power unit with new or rebuilt parts, free of charge for six (6) years from the date of original purchase in the event of a defect in materials or workmanship. No cash refunds. Excluded are the following items that require normal replacement:

Disposable dust bags, filters, vacuum cleaner tools and vacuum hoses.

This warranty is extended only to the original purchaser. A purchase receipt or other proof of date of original purchase will be required before warranty performance is rendered.

You must return your warranty card or register on our website in order to be covered under these provisions.

This warranty only covers failures due to defects in materials or workmanship which occurs during normal use and does not cover damage which occurs in shipment or failures which are caused by products not supplied by InterVac Design, or failures which result from accident, misuse, abuse, neglect, mishandling, misapplication, alteration, modification, or commercial use such as hotel, office, restaurant or rental use of the product, or service by anyone other than an authorized service center, or damage that is attributable to acts of God.

There are no expressed warranties except as listed above.

LIMITS AND EXCLUSIONS:

INTERVAC DESIGN SHALL NOT BE LIABLE FOR INCIDENTAL OR CONSEQUENTIAL DAMAGES RESULTING FROM THE USE OF THIS PRODUCT, OR ARISING OUT OF ANY BREACH OF THIS WARRANTY. ALL EXPRESSED AND IMPLIED WARRANTIES, INCLUDING THE WARRANTIES OF MERCHANTABILITY AND FITNESS FOR A PARTICULAR PURPOSE, ARE LIMITED TO THE APPLICABLE WARRANTY PERIOD SET FORTH ABOVE.

Some states do not allow the exclusion or limitation of incidental or consequential damages or limitations on how long an implied warranty last, so the above exclusions or limitations may not apply to you. This warranty gives you specific legal rights that vary from state to state. If a problem with this product develops during or after the warranty period, you may contact your dealer or our service center. If the problem is not handled to your satisfaction, then write to the Customer Service Center at the company address.

interVac **MODEL: H120 or CM120**

surface mounted with power cord attached

TIP: if you do not like to surface mount the vacuum with screws you can use Velcro, ask for our kit # A015

External to Wood Surfaces: (see Fig.: A)

- Step 1.** To cover with the vacuum hose as much area as possible, choose a wall or surface that is centrally located and has an electrical outlet close by.
- Step 2.** Cut paper template from instruction manual, page 8. Tape the template to the wall or a surface at a comfortable operating height or a minimum of 2 to 3 inches above the floor. **Mark the 4 centers accurately.** Carefully remove template from the wall and place it into the operating manual for future references .
- Step 3.** Attach the enclosed #8 screws to the wall as marked on the template. Keep the screw heads 1/8" from the wall.
- Step 4.** Slide the key holes on the back of the vacuum cleaner over the 4 screw heads and secure by pushing down. If vacuum cleaner is loose re-tighten screws.
- TIP:** If vacuum cleaner is mounted on its back or side , it may slide off the screw heads when you pull on the vacuum hose. To prevent this, fasten a small wood block against the top of the unit.
- Step 5.** Check to be sure dust bag and motor filter (under dust bag) are in place. The corners of the filter have to be tucked under the ribs so that the filter lays flat!

External to Drywall (1/2 thick) Surfaces: (see Fig.: A)

- Step 1.** To cover with the vacuum hose as much area as possible, choose a wall or surface that is centrally located and has an electrical outlet close by.
- Step 2.** Tape the paper template #W600 on page 8 to a wall at a comfortable operating height or a minimum of 2-3 inch above the floor. 2 of the 4 mounting screws should be in the center of a wall stud behind the dry wall for strength.
- Step 3.** With an awl or similar object mark the center of the 4 key holes accurately. Carefully remove template from the wall and place it into the operating manual for future references .
- Step 4.** With a 3/32 drill bit, pre-drill all 4 holes.
- Step 5.** Now use a 5/16 drill bit to enlarge the 2 holes which are not going into the wall-stud.
- Step 6.** Squeeze the two arms of the anchor together and insert through the hole. **Very lightly** hammer the anchor flush with the dry-wall surface.
- Step 7.** Insert the red key-pin and push hard to open the anchor behind the dry-wall, remove red key. Do **not** hammer key.
- Step 8.** Attach the four screws (#8) through the 2 anchors and into the wall-stud. Keep the screw heads 1/8" from the wall surface.
- Step 9.** Slide the key holes on the back of the vacuum cleaner over the 4 screw heads and push down. If the vacuum cleaner is loose on the screws re-tighten screw heads a little more.
- TIP:** If vacuum cleaner is mounted on its back or side, it may slide off the screws heads when you pull on the vacuum hose. To prevent this, fasten a small wood block against the top of the unit.
- Step10.** Check to be sure dust bag and motor filter (under dust bag) are in place. The corners of the filter have to be tucked under the ribs so that the filter lays flat !

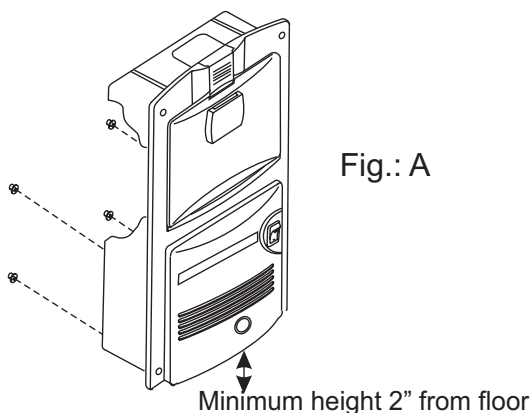


Fig.: A

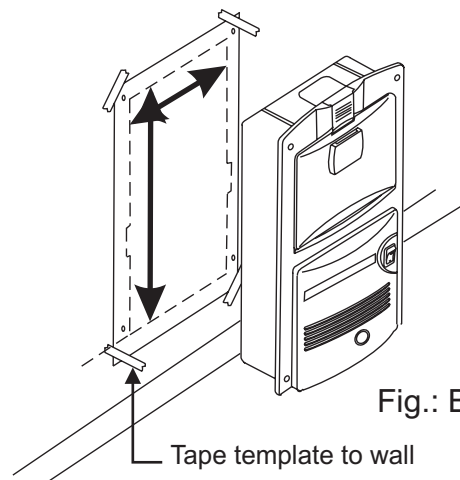


Fig.: B

Paper Template: # W600 see page 8
for surface mounting

Paper Template: # W601 or # W602
for flush mounting

Specification: 120 Volt, 11 Amp 50/60Hz, Weight 8 lb

Parts List:

Depending on model	2 dry-wall anchors, 1 red push pin(for H120 only)
Paper templates: #W601 or #W600	4 painted screws
3 wire connectors with F120 units only	2 high filtration bags #Y08
1 wood strip (for F120 units only)	



CM120 in-wall installation: detaching the power cord from your CM120 vacuum

WARNING: Electrical connections should be made by a qualified electrician

- Open the 2-3/4 x 1-3/8 side cover (lower right side of unit) and pull the wires through the opening.
- Disconnect the wire connectors that are attached to the cord and also pull the green ground wire out. Leave wires as long as possible.
- Open the Romex clamp around the electric cord at the bottom side of the unit and remove the cord.
- You are now ready for the in-wall installation. See next paragraph.



F120 and CM120(with cord removed) recessed installation

Paper Template #W601

GROUNDING INSTRUCTIONS for CM120 and F120 ONLY, WHEN PERMANENTLY WIRED

This appliance must be connected to a grounded metal, permanent wiring system; or an equipment-grounding conductor must be run with the circuit conductors and connected to the equipment-grounding terminal or lead on the appliance.

WARNING: Disconnect all electrical power to the wall area before installing!

Do not drill near studs where electrical cable may be secured to studs adjacent to receptacles.

Note: The four mounting holes in the outer corners of the flange of the Vacuum Cleaner must be drilled from the back of the unit with a 3/16" drill bit when the unit is to be recessed into a wall.

To reach with the vacuum hose as far as possible, choose a wall or surface that is centrally located and has an electrical outlet or switch from a 16 amp circuit breaker. Make sure the wall is hollow and there are no pipes or other obstructions in the section you choose.

Recessed Installation into 1/2 inch thick Drywall: (see Fig.: B)

We recommend that vacuum cleaner be mounted against one side of a 2X4 wall stud.

TIP: Drywall installation: with a 3" dia. hole saw, cut a hole first and check for obstructions! It is easier to re-plaster the 3" dry-wall slug than a large cut-out if you do encounter an obstruction.

- Step 1** The vacuum cleaner should be mounted to the side of a 2X4 wall stud . Make sure No electrical switches or outlets are on the installation side when mounted to a 2X4.
- Step 2.** Tape the template against the wall at a comfortable operating height (or a minimum of 2 to 3 inches off the floor) to the edge of the 2X4 (use the vertical cut-out line from the template and align with the edge of the 2X4)
- Step 3.** Refer to the paper template #W601 for the cut-out.
- Step 4.** Install 14 or 16 gage AWG, 300V minimum Romex cable (use wires rated for at least 95C) from the electrical power supply and pull the power cable through the wall cut-out.
- Step 5.**
 - Open the 2 3/4" x 1 3/8" side cover and pull the 3 inside wires through the opening.
 - Insert your 120 volt power supply cable through the Romex clamp and out of the side opening.
 - With 3 wire nuts connect **black to black , white to white and green to bare ground conductor** wires.
 - Tighten the Romex clamp and replace the side cover.
- Step 6.** Slide the unit, bottom first, into the opening and secure with the four painted screws. use 2 screws for the 2X4 and 2 screws for the 2 anchors. Do not over-tighten.
- Step 7.** Check to be sure dust bag and motor filter (under dust bag) are in place. The corners of the filter have to be tucked under the ribs so that the filter lays flat!

Recessed into Wood Surface Installation: (see Fig.: B)

Same procedure as above, but do not use the drywall anchors. Pre-drill the 4 outer holes 3/32 dia. and secure

HOW TO OPERATE YOUR VACUUM CLEANER

interVac™

InterVac Design Corporation Palm City, Florida, 34990

toll free 1-888-499-1925

e-mail: sales@intervacdesign.com • Website: www.intervacdesign.com

MODELS: F120 + H120 + CM120

NOTE: THE LOWER PART OF THE VACUUM CLEANER WILL BE QUITE WARM WHEN IN USE.

IF THE VACUUM STOPS RUNNING:

Most likely the vacuum hose is clogged and the motor shuts off. Push the switch into OFF position and let the motor cool down. Restart the vacuum without the vacuum hose attached for 6 to 8 minutes and keep the small cover on the door open. If vacuum keeps running the hose or the tools are clogged. PLEASE SEE TROUBLE SHOOTING GUIDE.

A. Connecting and disconnecting the hose.

1. Lift the inlet valve cover on the front of the door.
2. Insert hose cuff with a twist and push to secure.
3. To remove, turn hose in either direction while pulling hose towards you.

B. On / Off Switch

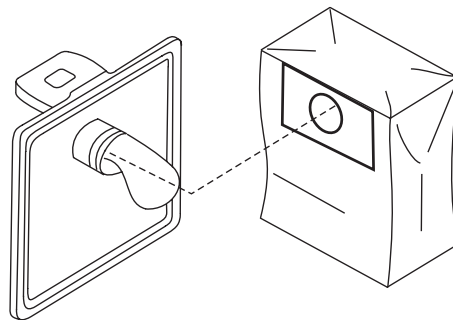
1. To start the vacuum cleaner, push the switch to the "I" position.
2. To stop the vacuum cleaner, push the switch to the "O" position.

C: How to change the dust bag,

Replacement bag: Part # Y08 high filtration with Hepa Quality

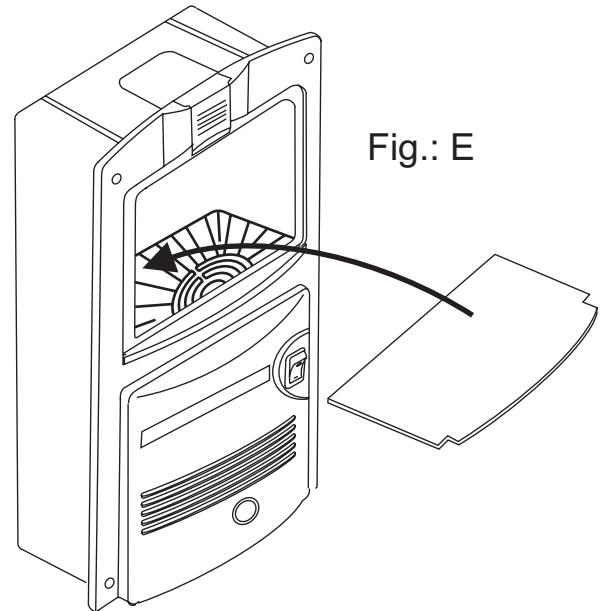
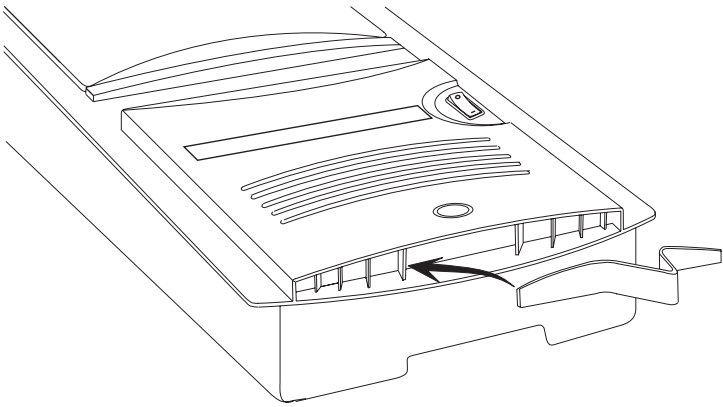
1. Open the door on the vacuum cleaner by pushing the latch upward and remove both door and dust bag.
2. Carry door and dust bag to the trash container. Remove full bag and discard.
3. Place a new dust bag all the way over the scoop on the door.
4. When closing door, tuck in the left and right corners of the bag, so the door is properly sealed and the latch clicks into place.

TIP: If you break off the vacuum hose inlet cover on the door; simply reattach it by lining up one of the small dimples located on the inside of the inlet cover and then press hard on the other side to click into position.



C: To change motor filter, Replacement Part # Y21 (see Fig.: E)

1. Remove door and dust bag.
2. Reach into the cavity towards the bottom of the vacuum cleaner and remove the motor filter.
3. Replace the filter with a new or cleaned filter and tuck in the corners so that the filter lays flat on the grid,
4. If necessary, clean the dirty filter by vacuuming or washing in mild soap by hand.
Do not clean in washing machine. Let filter dry completely and reuse as needed.



D: Replacing Exhaust Filter, Part #Y41:

*Pinch exhaust filter in the middle and pull out.
To replace, pinch in the middle and slide in
one side first. (washable by hand)*

**E. Replacing motor filter
Part # Y21**

*tuck-in the corners and sides
carefully under the ribs*

TROUBLE SHOOTING:

TIP : *If you use our very convenient stretch hose, but require more suction power, we recommend you try a traditional central vacuum hose.*

NOTE: IF MOTOR SUDDENLY STOPS:

1. *The most common cause is a clogged hose. Disconnect vacuum hose from cleaner, hold one end high up in the air and drop a quarter or similar object into the hose. If the quarter gets stuck the hose is clogged. Try to unclog the hose with a long stick or see below "cleaning the hose".*
2. *The bag is overfilled or fine dust has clogged the bag.*
3. *The vacuum cleaning tools are clogged.*
4. *Vacuuming large amounts of dust other than household dirt, such as dry-wall or fine wood dust can block the bags pores fast, even if the bag is fairly new.*
5. *The motor filter is dirty and should be cleaned or replaced.*
6. *If vacuum unit is installed in a air tight compartment the exhausting air cannot escape, the motor can overheat and shut off until it cooled down and is restarted.*
7. *The exhaust filter should be checked and replaced or cleaned.*

CLEANING THE STRETCH HOSE:


The stretch hose, besides all its' conveniences, has a tendency to get clogged, especially if you have pets.

- a) *lift the hose up on both ends and dispense some liquid detergent into both ends.*
- b) *with a garden hose, holding both ends still up, fill ¾ with water.*
- c) *shake hose up and down, let detergent loosen the dirt.*
- d) *stretch the hose as far as you can (2 people required) and wash the dirt out with the full pressure of the garden hose. Repeat if necessary.*
- e) *Hang hose up , let hose drain and dry completely, it might take 24 hours.*


CAUTION:

**DO NOT PICK UP LIQUIDS, LIT CIGARETTES, HOT ASHES,
RAZOR BLADES, NEEDLES, PINS OR OTHER SHARP OBJECTS!**

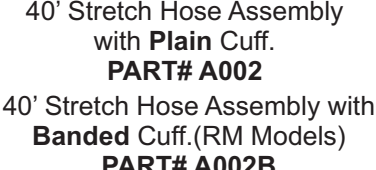
interVac ACCESSORIES




Complete Tool Kit
(Includes all item on the right)
PART # 705 for Models H, F, CM
PART # 705B for all RM Models




40' Stretch Hose Assembly with **Plain Cuff.**
PART# A002



40' Stretch Hose Assembly with **Banded Cuff.**(RM Models)
PART# A002B



2 Part Upholstery Tool **PART # X300**




Crevice Tool **PART # X200**




Dust Brush **PART # X250**



Floor/Rug Tool **PART # X403**




Mesh Storage Bag **PART # X501**



Telescoping Wand, **PART # X154**


REPLACEMENT DUST BAGS:
PART # Y08-5 (5 pack) HEPA Type 5 layer fiber filtration bags with exhaust filter for all InterVac Models




NOTE: All Power Units come with 2 Dust Bags

OPTIONAL VACUUM TOOLS


30 Foot Traditional Central Vacuum Hose
PART #A006 for Models H, F, CM
PART # A006B for all RM Models




Elongated Dust Brush **PART # X251**



Air Turbo Nozzle **PART # X452**



Special Inlet Valve "VAC-PAN" **PART # 505 Black**

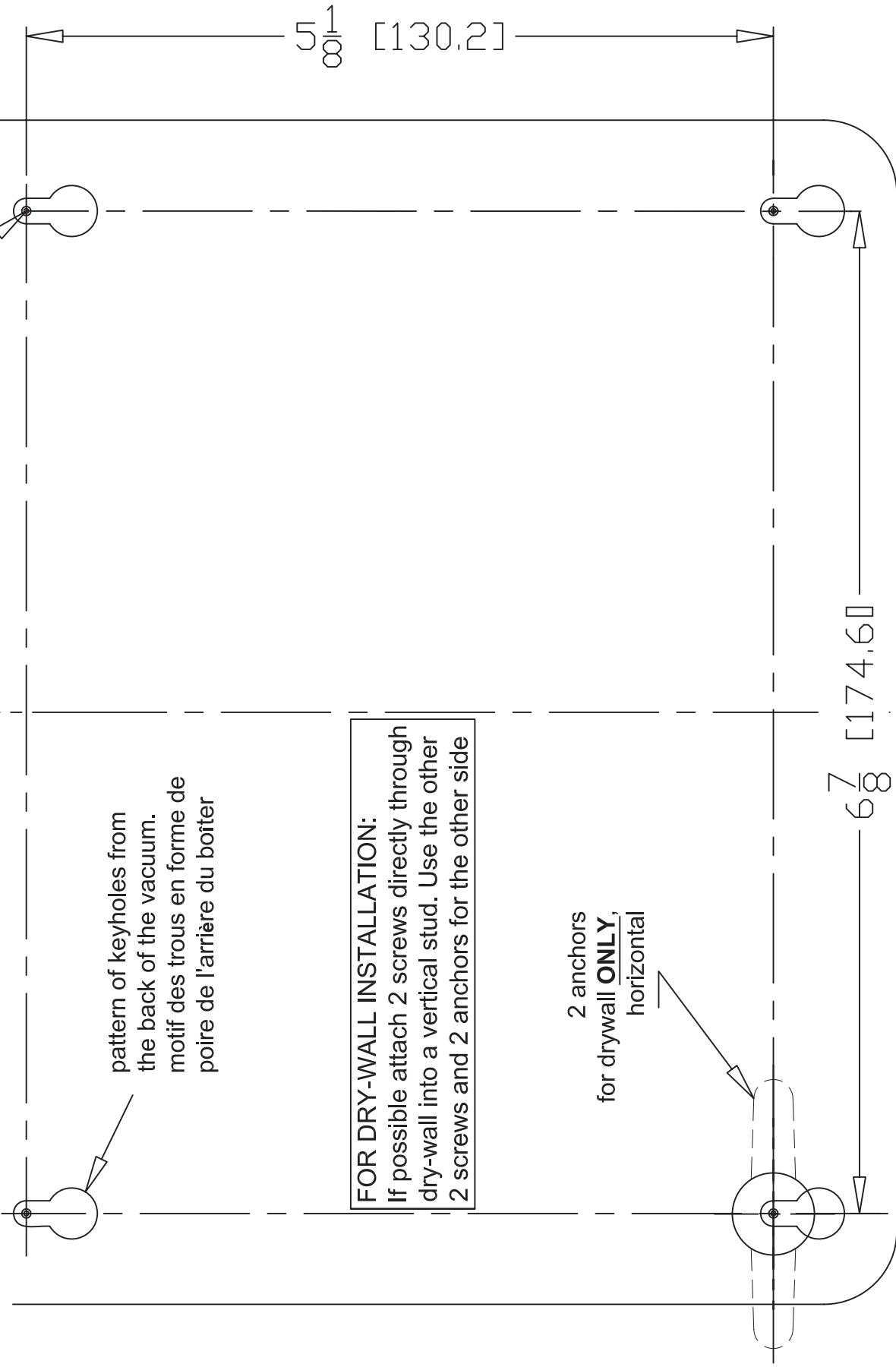


INTERVAC reserves the right to make improvements and modifications without notice.

FASTENER TEMPLATE FOR HANGING AGAINST A SURFACE

Template #W600
Gabarit # W600

mark all 4 centers accurately



DO NOT DESTROY TEMPLATE, USE FOR FUTURE REFERENCES

CUT ALONG DOTTED LINE