



**RV Products**  
**A Division of Airxcel, Inc.**  
**P.O. Box 4020**  
**Wichita, KS 67204**

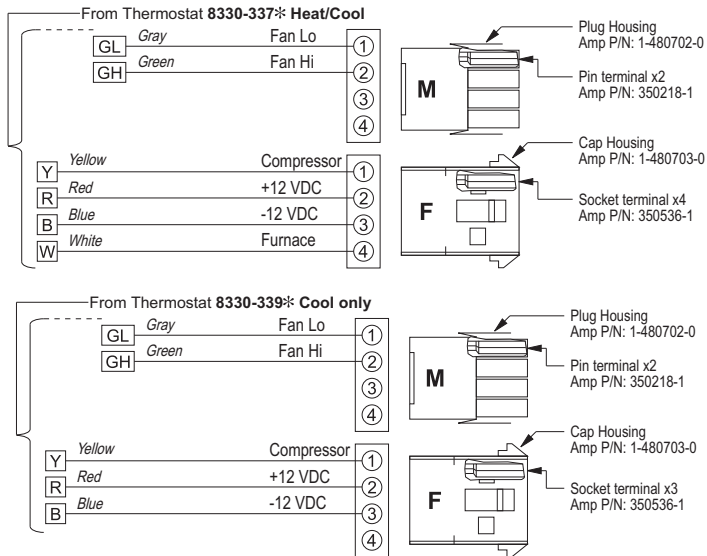
**Web:** [www.rvcomfort@airxcel.com](http://www.rvcomfort@airxcel.com)  
**Support:** [www.rvsupport@airxcel.com](http://www.rvsupport@airxcel.com)  
**Sales:** [www.rvsales@airxcel.com](http://www.rvsales@airxcel.com)

INSTALLATION AND OPERATING INSTRUCTIONS  
FOR: 8330- 336\*, 337\*, 338\*, 339\*  
AIR CONDITIONER

\* Last digit represents  
specific model number



# Figure 1 (continued)



# OPERATION CHART

The chart below shows the system functions with the 8330-336\*, 8330-337\*, 8330-338\*, 8330-339\* thermostats. After the entire air conditioning system (and furnace system) is installed, check each position function.

**Note:** Heat functions only pertain to 8330-336\* & 8330-337\* models.

**8330-336\*, 8330-337\*, 8330-338\*, 8330-339\***

## 1-STAGE AIR CONDITIONER THERMOSTAT OPERATION TABLE

|    | Mode Switch | Fan Mode Switch | Fan Speed Switch | Calling             | Operation  |
|----|-------------|-----------------|------------------|---------------------|--|
| 1  | Cool        | Auto            | Lo               | No                  | No functions occur in this mode                      |
| 2  | Cool        | Auto            | Lo               | Yes<br>1° above set | GL-FAN Low (Gray), Y-Compressor (Yellow) energized   |
| 3  | Cool        | On              | Lo               | No                  | GL-FAN Low (Gray) energized                          |
| 4  | Cool        | On              | Lo               | Yes<br>1° above set | GL-FAN Low (Gray), Y-Compressor (Yellow) energized   |
| 5  | Cool        | Auto            | Hi               | No                  | No functions occur in this mode                      |
| 6  | Cool        | Auto            | Hi               | Yes<br>1° above set | GH-FAN High (Green), Y-Compressor (Yellow) energized |
| 7  | Cool        | On              | Hi               | No                  | GH-FAN High (Green) energized                        |
| 8  | Cool        | On              | Hi               | Yes<br>1° above set | GH-FAN High (Green), Y-Compressor (Yellow) energized |
| 9  | Off         | Auto            | Lo or Hi         | N/A                 | No functions occur in this mode                      |
| 10 | Off         | On              | Lo               | N/A                 | GL-FAN Low (Gray) energized                          |

## OPERATION

The display indicates room temperature and the word ROOM is shown on the LCD until the temperature selector is pressed; at which time the display temporarily indicates the setpoint temperature and the word SET is shown on the LCD. Each time the UP arrow is pressed, the setpoint will increase. Each time the DOWN arrow is pressed, the setpoint will decrease. Once the temperature selector button is no longer pressed for a few seconds, the room temperature will again be displayed, and the word ROOM will be displayed on the LCD.

| TEMPERATURE    |         |        |
|----------------|---------|--------|
| MODE           | RANGE   |        |
|                | °F      | °C     |
| Cooling (set)  | 98-33°F | 37-1°C |
| Heating (set)  | 98-33°F | 37-1°C |
| Display (room) | 99-32°F | 38-0°C |

### NOTE

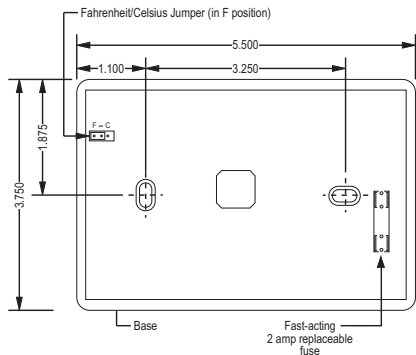
The temperature is displayed in degrees Fahrenheit as a factory set default. To display in degrees Celsius, move the jumper marked "F" and "C" to bridge between middle pin and position "C", then cycle 12 volt power off then back on again (see Figure 2, Page 6).

There is a three minute anti-short cycle delay time for cooling.

**1** Refer to operation chart (Pages 2 and 3)  
for a more detailed listing of operation sequence.

## C. ATTACHING THE WALL THERMOSTAT

1. Separate the thermostat cover from the base by gently pulling at the left and right. See Figure 2.
2. Connect plugs or wires to motorcoach wiring harness.
3. Attach the new thermostat base to the wall at the desired mounting location.
4. Reattach thermostat cover to base.



8330-336\* Thermostat  
8330-337\*  
8330-338\* } *Not Shown*  
8330-339\* }

|    | Mode Switch | Fan Mode Switch | Fan Speed Switch | Calling             | Operation                                      |
|----|-------------|-----------------|------------------|---------------------|--|
| 11 | Off         | On              | Hi               | N/A                 | GH-FAN Hi (Green) energized                    |
| 12 | Heat        | Auto or On      | Lo or Hi         | No                  | No functions occur in this mode                |
| 13 | Heat        | Auto or On      | Lo or Hi         | Yes<br>1° below set | W-Furnace (White) energized to run the furnace |

**APPLICATION** The 8330-336\*, 8330-337\* thermostats are heat/cool model wall thermostats. The 8330-338\*, 8330-339\* thermostats are cool only model wall thermostats. The thermostat wiring is factory installed by the OEM (Original Equipment Manufacturer). Recreation Vehicle Products suggests the thermostat wiring be a minimum of 18 gauge. The 8330-336\*, 8330-337\* thermostats may also operate any RV furnace 12 VDC control circuit not exceeding 1 amp. The thermostat is equipped with a replaceable fast-acting 2 amp fuse located on the base of the thermostat. The fuse is designed to “open” if the furnace is mis-wired or if there is a short in the system. Before replacing the fuse, the cause of the failure must be located and corrected.

**INSTALLATION INSTRUCTIONS** BE SURE ALL ELECTRICAL POWER HAS BEEN DISCONNECTED FROM THE AIR CONDITIONER AND THE POWER SUPPLY.

These instructions are provided for the proper mounting of the thermostat itself. An Operation Chart is provided to show thermostat capabilities.

### A. THERMOSTAT LOCATION

This thermostat is a sensitive instrument. For accurate temperature control and comfort, the following considerations should be taken into account:

1. Locate the thermostat on an inside wall about five feet above the floor. Pick a dry area where air circulation is good.
2. Do not install the thermostat where there are unusual heating conditions such as direct sunlight, heat producing appliances (television, radio, wall lamp, etc.) or a furnace or air conditioner supply register.

## B. WIRING THE WALL THERMOSTAT

### For the 8330-336\* and 8330-338\* Thermostats

The OEM must supply the stripped wires to mate per Figure 1. The wires must be connected by wire nuts to motorcoach wiring harness before the base is secured to the wall.

### For the 8330-337\* and 8330-339\* Thermostats

The OEM must supply the mating parts to connect these thermostats per Figure 1. The plugs must be connected to motorcoach wiring harness before the base is secured to the wall.

**Figure 1**

