

EN	Gravity-flush toilet	3
	Instruction manual	
ES	Inodoro con descarga por gravedad	
	Manual de instrucciones	12
FR	Toilette à évacuation gravitaire	
	Mode d'emploi	21



Model 310 Gravity-Flush Toilet



IF SERVICE OF THIS TOILET IS EVER REQUIRED, READ THIS BEFORE SERVICING PRODUCT.

DO NOT REMOVE TOILET FROM VEHICLE.
DO NOT SEPARATE CERAMIC BOWL FROM PLASTIC BASE.
DO NOT REMOVE FOOT PEDAL FROM BASE.
DISASSEMBLY OF COMPONENTS MAY VOID WARRANTY.
SEE MANUAL AND REPLACEMENT KITS FOR SERVICE INFORMATION.

Dometic Corporation
Sanitation Division

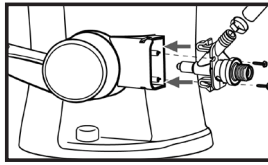
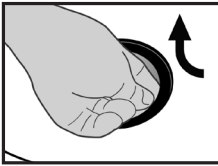
Call Customer Service: 1-800-321-9886 (8 a.m. – 5 p.m. ET)

TOILET DOES NOT NEED TO BE REMOVED FROM VEHICLE FOR BASIC REPAIRS *(if necessary)*

Flush ball seal – Dometic’s revolutionary ball seal allows future replacement of worn or damaged ball seals without requiring tools or toilet disassembly. The ball seal can be changed in just a few minutes without removing the toilet from the floor. Detailed replacement instructions are included with replacement ball seal kits.

Snap-in water valve cartridge – Allows easy replacement of worn or damaged water valves. In cold climates, be sure to follow winterizing procedure in owner’s manual to help avoid water valve failure. Refer to replacement instructions in new water valve kit prior to removal or installation of water valve assembly.

Factory-sealed bowl-to-base assembly – Unlike other Dometic foot-pedal toilets, **the ceramic bowl and plastic base of the model 310 toilet should not be separated for any reason.**



Each Dometic toilet is 100% factory-tested to assure a watertight seal in the toilet bowl before it is shipped.

After installation at the RV or other vehicle factory, the entire toilet and waste tank system is flood-tested for leaks by filling the system with water to the rim of the toilet bowl. This process requires holding the flush ball open with a device which may temporarily distort the ball seal from its original shape and, as a result, cause the seal to leak water into the waste tank during normal use. The ball seal may need to be reconditioned to its original shape.

IF NEW MODEL 310 TOILET DOES NOT HOLD WATER IN BOWL...

Please follow the procedures below before attempting to replace the seal.

1. Hold flush ball in full open position by pressing on pedal.
2. Using finger, apply moderate downward pressure around edge of ball seal.
3. Close flush ball.
4. Keeping flush ball closed, pour one quart of hot tap water into toilet bowl.
5. Let water cool completely.
6. Check for leak.

If leak still persists, flush ball seal should be replaced. Follow instructions provided with replacement seal kit.



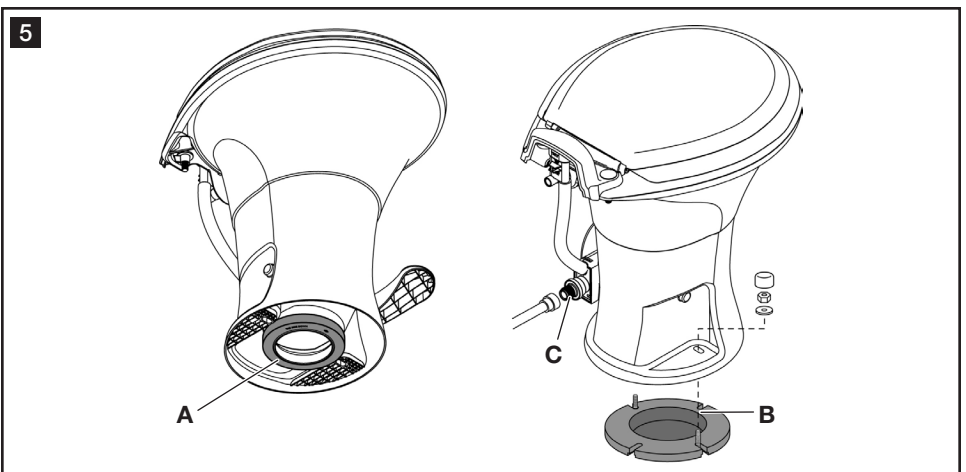
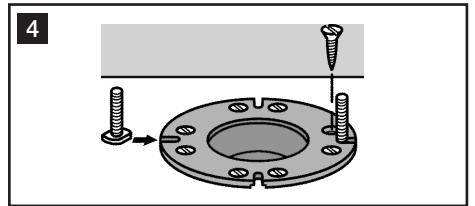
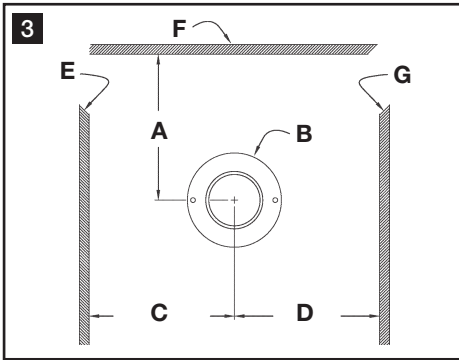
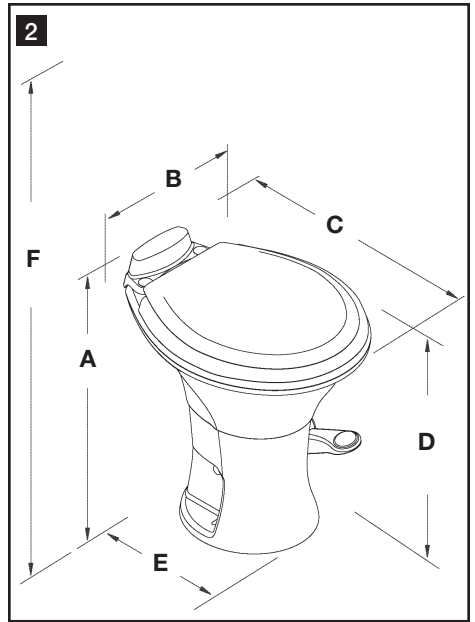
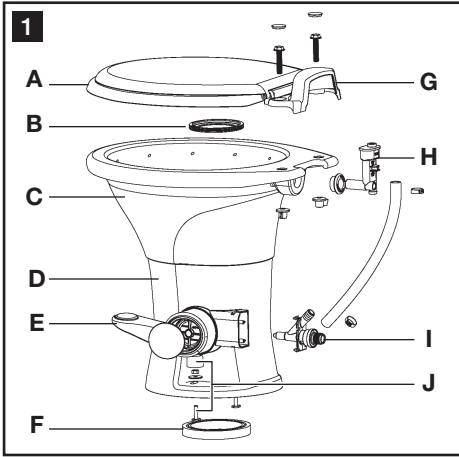


Table of contents

EN

1	Notes on using the manual	4
2	General safety instructions	4
3	Intended use	5
4	Specifications	5 - 6
5	Components	5
6	Installation	6 - 7
7	Operation	7
8	Cleaning	8
9	Winterization and storage	8 - 9
10	Troubleshooting	10
11	Warranty	11
12	Customer service	11

1 Notes on using the manual



Caution!

Safety Instruction: Failure to observe this instruction can cause material damage and impair the function of the device.



Note

Supplementary information for operating the device.

fig. **1** A, page 2 : This refers to an element in an illustration. In this example, item A in figure 1 on page 2.

2 General safety instructions

The manufacturer will not be held liable for claims for damage resulting from the following:

- Faulty installation or connection
- Damage to the unit from mechanical influences, misuse or abuse
- Alterations to the unit without express written permission from the manufacturer
- Use for purposes other than those described in this manual

2.1 Warnings

The following statements must be read and understood before installing, servicing and/or operating this product. Modification of this product may result in property damage.

1. Do not use chlorine or caustic chemicals, such as laundry bleach or drain-opening types, in the system. These products damage the seals in toilets and other plumbing valves.
2. Do not permit foreign objects (paper towels, paper cups, diapers, sanitary napkins, etc.) to be flushed through the toilet.
3. Mechanical seal toilets are designed to only discharge directly into a holding tank. Horizontal pipe runs as found in conventional residential or commercial plumbing systems cannot be accommodated.
4. Toilet bowl must be regularly cleaned and winterized according to "Cleaning" and "Winterization and storage" procedures on pages 6-7, or your warranty coverage may be voided.

3 Intended use

Dometic model 310 toilet provides a lightweight, residential-size toilet for installation directly above a holding tank.

3.1 Benefits

PowerFlush technology. Improved pressurized rim flow creates high-speed vortex of water for full bowl rinsing.

Premium user comfort. Full-size seat, deep bowl and 18-in. (457 mm) seat height result in greater homelike performance.

Easy installation. Two-bolt design fits most existing toilet floor flanges – great for new or replacement installations. Just place on floor flange, tighten bolts, connect water, and it's ready.

Compact design. Small footprint and 10-inch (254 mm) rough-in fits in most any restroom.

Ergonomically enhanced pedal operation. Lower pedal height for easier use; “one-direction” action to add water and flush.

4 Specifications

4.1 Materials

Toilet bowl: vitreous ceramic

Foot pedal: polypropylene

Toilet seat: polypropylene

Water valve: polypropylene

Flush ball seal: nitrile butyl rubber

Vacuum breaker: ABS/polypropylene

Toilet base: polypropylene

Floor seal: nitrile rubber, foam

4.2 Minimum installation requirements

Water Supply	Fitting	0.5 in. NPT
	Flow rate	3.0-5.0* gpm / 11.4-18.9 lpm recommended 2.0 gpm / 9.5 lpm minimum
	Static pressure	30-100 PSI / 206.8-689.5 kPa
Discharge	Floor flange	3 in./76 mm ID, 1/4-7/16 in. (6-11 mm) thick

* Water supply that exceeds 5.0 gpm / 18.9 lpm may require a flow restrictor at toilet inlet. Specifications subject to change without notice.

4.3 Toilet Dimensions (fig. 2, page 2)

Ref.	Dimension
A	20 in. / 508 mm
B	15 in. / 381 mm
C	19 in. / 483 mm
D	18 in. / 457 mm - seat height
E	14.75 in. / 375 mm
F	33 in. / 838 mm - seat lid up

4.4 Rough-in dimensions (fig. 3, page 2)

Ref.	Dimension/Description
A	10 in. / 254 mm
B	Floor flange
C	11 in. / 279 mm
D	11 in. / 279 mm

Ref.	Dimension/Description
E	Left wall
F	Back wall
G	Right wall

5 Components (fig. 1, page 2)

Ref.	Description
A	Toilet seat
B	Flush ball seal
C	Toilet bowl
D	Toilet base
E	Flush pedal
F	Floor flange seal

Ref.	Description
G	Vacuum breaker cover
H	Vacuum breaker
I	Water valve
J	Floor mounting hardware kit

Refer to complete parts list (available online at www.dometic.com) for additional information.

6 Installation



Note

Be sure foot pedal, when pressed, touches same flat surface on which toilet is installed.



Note

Be sure to follow recommended installation requirements in section 4.2 of this manual.

6.1 Tools required

- pliers or adjustable wrench
- 7/16-in. / 11 mm wrench

6.2 Toilet installation

1. To replace an older toilet, turn off water supply to toilet. Remove and drain water supply line. Remove toilet hold-down bolts/screws. Remove toilet from floor. Remove and discard old floor flange seal and hold-down bolts. Verify center of floor flange is at least 10 inches / 254 mm from back wall (fig. 3 A, page 2). Make sure top surface of floor flange is clean and free of any debris or sealant.
2. If installing a new floor flange, make certain that toilet mounting holes are located at the correct angle (fig. 3 B, page 2). Floor flange must be secured to floor with a minimum of four screws (8 is preferred). Insert two supplied T-bolts into slots in floor flange (fig. 4, page 2).

- Verify that floor flange seal is installed on base of toilet (fig. **5 A**, page 2). Carefully set toilet over floor flange. Align holes in toilet base with T-bolts as toilet is lowered onto floor flange. Toilet must be aligned so that outlet of base fits inside of floor flange outlet hole.

**Note**

Entire toilet base does not rest completely on floor yet. Floor seal must be compressed in following steps.

- Install floor mounting nuts and washers onto T-bolts. Carefully torque nuts to 30-40 inch-pounds. **DO NOT OVERTIGHTEN**. Alternate between sides when tightening to prevent distortion of base. When tight, base should be securely attached and flat against floor. Attach bolt covers onto nuts. (Fig. **5 B**, page 2)
- If toilet is being installed in a shower stall, apply a bead of caulk around base of toilet to prevent water seepage under base.
- Connect water supply line and torque connection to 30-40 inch-pounds. **DO NOT OVERTIGHTEN**. (Fig. **5 C**, page 2)
- Turn on water supply line. Flush toilet several times and check for leaks.

7 Operation

7.1 Add water to bowl

To add water to the toilet, press the flush pedal part way down. Water flows into the bowl while flush ball remains closed. If the flush ball moves, let up on the pedal slightly. Adding water to an empty bowl helps prevent holding tank odors from entering the living space. Adding water is recommended prior to flushing solids and toilet paper.

7.2 Flush toilet

To flush, press pedal down until it contacts the floor. Release pedal after complete flush.

- When flushing liquids, press the pedal for 1-2 seconds.
- When flushing solids, press pedal until contents are rinsed from bowl. Flushing longer than necessary will cause holding tank to fill too quickly.

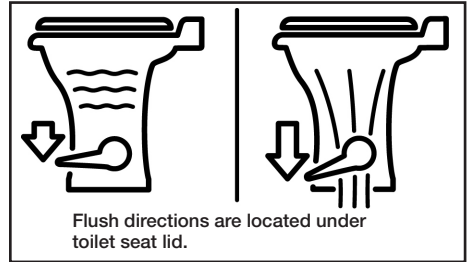
A small amount of water will collect in the bowl after a flush to create an airtight seal.

**Note**

Residual water trickle in ceramic bowls: Due to integrated rim of models 310, 311, 320 and 321 toilets, water may continue to trickle into toilet bowl for up to 20 minutes after flushing. If water trickle continues after 30 minutes, replace water valve.

**Note**

To ensure holding tank odors do not enter the living space, make sure 1 inch (24 mm) of water remains in the toilet bowl. Because of variations in plumbing systems and user operation, the "add water" function may be required to achieve the 1-inch water depth.



8 Cleaning

8.1 Routine toilet cleaning

For routine cleaning, use Dometic Toilet Bowl Cleaner. If you cannot find it in your area, contact Dometic for your nearest dealer. If the cleaner is not available, use most any non-abrasive bathroom and toilet bowl cleaner. Please follow label instructions.

8.2 Flush ball/seal cleaning

After a period of time, mineral deposits from hard water may build up on the flush ball or seal, resulting in a slow water leak. To prevent this, periodically clean the flush ball and seal.

1. Remove minor debris from the flush ball and seal by slowly pressing and releasing the flush pedal several times. This will loosen and rinse debris from the surfaces. Repeat several times for stubborn buildup.
2. If step 1 does not fully clean the ball and seal, clean with a soft bristle brush and Dometic toilet bowl cleaner. Fully clean the top of the flush ball and under the seal where it contacts the flush ball. After cleaning underside of seal, apply light downward pressure to top of seal while brushing around full perimeter of seal.
3. After cleaning, lightly press down around seal to assure it will properly seal against flush ball.
4. If this does not correct a leaking seal, it may require replacement.



9 Winterization and storage

When a Dometic toilet is stored for long periods of time or may be exposed to temperatures below freezing, the toilet must be winterized or stored according to one of the following procedures.



Caution

This toilet is not intended for use when exposed to temperatures below freezing.



Caution

Never use automotive-type antifreeze (ethylene glycol) in freshwater systems.



Note

Use nontoxic antifreeze (propylene glycol) designated for potable water systems. (See vehicle owner's manual.)

Storage options

Non-toxic Antifreeze Winterization (recommended method)

1. Pour antifreeze in potable water tank according to instructions from antifreeze manufacturer.
2. Flush toilet several times until antifreeze has flowed completely through toilet. For toilets with hand sprayer, the hand sprayer must be turned on to assure antifreeze is cycled through the sprayer.

Drain Water from Toilet

1. Turn off water supply to toilet.
2. Remove water supply line from water valve.
3. Place a small container under water valve inlet to catch draining water.

(continued on next page)

4. Press flush pedal and allow water to completely drain from water valve and vacuum breaker.
5. Leave water line disconnected until threat of freezing temperature is past.

**Note**

Never leave vehicle or premises unoccupied for extended periods of time with municipal water supply or onboard water pump turned on when there is a possibility of freezing temperature.

IMPORTANT:**Toilet warranty does not cover freeze-damaged water valve**

The Dometic 310 toilet warranty expressly excludes coverage for any damages to the toilet or vehicle that may occur as a result of improper winterization of the toilet. **An indicator of improper winterization is freeze damage to the water valve which results in leaks.**

Dometic 310 toilet water valves exceed maximum water pressure as defined by North American plumbing code agencies. However, if trapped water freezes in piping that supplies water to the toilet, it expands and creates extremely high pressure that can damage the valve (see photo). To avoid this, winterize the toilet as described in this manual.

If freeze-damage occurs as a result of improper winterization, replace the water valve with a 310 toilet water valve kit, part number 385311641.

IF WATER VALVE IS RETURNED FOR WARRANTY CLAIM, DOMETIC RESERVES THE RIGHT TO DENY CLAIM IF PROBLEM IS CAUSED BY FREEZE DAMAGE.

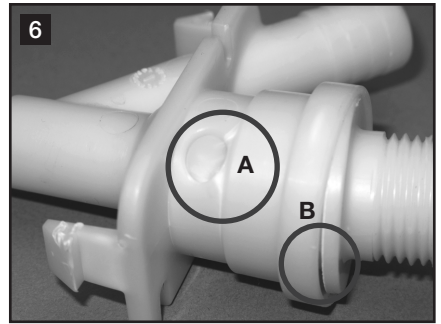


Fig. 6 A – Freeze Damage Indicator Window: white stress marks indicate freeze damage
B – Water valve damage due to severe exposure to below-freezing temperature

10 Troubleshooting

Problem	Possible Cause	Service Instruction
1. Water will not stay in bowl.	<ul style="list-style-type: none"> a. Flush ball seal is not properly positioned. b. Flush ball or seal is dirty. c. Worn or damaged flush ball seal. 	<ul style="list-style-type: none"> a. Press pedal to hold flush ball open, then lightly press down around edge of ball seal with finger to conform to flush ball. b. Clean flush ball and seal. c. Replace seal.
2. Odor from toilet when flush ball is open.	<ul style="list-style-type: none"> a. Plugged holding tank vent. b. Odor from holding tank contents. 	<ul style="list-style-type: none"> a. Clear obstruction from vent. b. Add deodorant to holding tank.
3. Odor from toilet when flush ball is closed.	<ul style="list-style-type: none"> a. No water in bowl. b. Damaged flush ball seal. c. Damaged floor flange seal. 	<ul style="list-style-type: none"> a. Add water to bowl. b. Replace seal. c. Replace floor seal.
4. Flush ball will not close completely.	<ul style="list-style-type: none"> a. Too much friction between flush ball and seal. 	<ul style="list-style-type: none"> a. Clean and lubricate flush ball and seal with silicone spray or furniture polish.
5. Water flow into toilet will not stop.	<ul style="list-style-type: none"> a. Worn or defective water valve. 	<ul style="list-style-type: none"> a. Replace water valve.
6. Water does not enter toilet bowl properly.	<ul style="list-style-type: none"> a. Insufficient water flow rate at toilet inlet. b. Screen at water valve inlet is clogged. c. Water valve is worn or damaged. d. Plugged rim wash holes in toilet. 	<ul style="list-style-type: none"> a. Make sure flow rate at toilet inlet is 3.0-5.0 gpm / 11.4-18.9 lpm (recommended rate). b. Clean screen. c. Replace water valve. d. Clean rim wash holes.
7. Hand sprayer leaks (hand sprayer is not provided with all models).	<ul style="list-style-type: none"> a. Hand sprayer is defective. 	<ul style="list-style-type: none"> a. Replace hand sprayer.
8. Water is leaking from water valve.	<ul style="list-style-type: none"> a. Water line connection is loose or not seated properly. b. Water valve is damaged or defective. 	<ul style="list-style-type: none"> a. Insure that threads are not cross-threaded and tighten connection. b. Replace water valve.
9. Water is leaking from toilet base.	<ul style="list-style-type: none"> a. Toilet is not secure to floor. b. Worn or defective floor flange seal. 	<ul style="list-style-type: none"> a. Tighten toilet mounting bolts. b. Replace floor flange seal.
10. Water is leaking from rear of toilet.	<ul style="list-style-type: none"> a. Loose vacuum breaker. b. Damaged or defective vacuum breaker. c. Cracked or defective toilet bowl. 	<ul style="list-style-type: none"> a. Make sure vacuum breaker stem is pushed fully into sealing grommet in back of bowl. b. Replace vacuum breaker. c. Replace toilet.

11 Warranty

Manufacturer's Two-Year Limited Warranty

Dometic Corporation warrants, to the original purchaser only, that this Dometic® gravity discharge toilet, if used for personal, family or household-like purposes, is free from defects in material and workmanship for a period of two (2) years from the date of purchase.

If this Dometic product is placed in commercial or business use, it will be warranted, to the original purchaser only, to be free of defects in material and workmanship for a period of ninety (90) days from the date of purchase.

Dometic reserves the right to replace or repair any part of this product that proves, upon inspection by Dometic, to be defective in material or workmanship. All labor and transportation costs or charges incidental to warranty service are to be borne by the purchaser-user.

EXCLUSIONS

IN NO EVENT SHALL DOMETIC BE LIABLE FOR INCIDENTAL OR CONSEQUENTIAL DAMAGES, FOR DAMAGES RESULTING FROM IMPROPER INSTALLATION, OR FOR DAMAGES CAUSED BY NEGLIGENCE, ABUSE, ALTERATION, OR USE OF UNAUTHORIZED COMPONENTS. THIS INCLUDES FAILURES WHICH MAY RESULT FROM NOT FOLLOWING THE WINTERIZATION OR CLEANING PROCEDURES AS DESCRIBED IN THIS OWNER'S MANUAL. ALL IMPLIED WARRANTIES, INCLUDING ANY IMPLIED WARRANTY OF MERCHANTABILITY OR FITNESS FOR ANY PARTICULAR PURPOSE, ARE LIMITED TO A PERIOD OF ONE (1) YEAR FROM DATE OF PURCHASE.

IMPLIED WARRANTIES

No person is authorized to change, add to, or create any warranty or obligation other than that set forth herein. Implied warranties, including those of merchantability and fitness for a particular purpose, are limited to one (1) year from the date of purchase for products used for personal, family or household-like purposes, and ninety (90) days from the date of purchase for products placed in commercial or business use.

OTHER RIGHTS

Some states do not allow limitations on the duration of an implied warranty, and some states do not allow exclusions or limitations regarding incidental or consequential damages; so, the above limitations may not apply to you. This warranty gives you specific legal rights, and you may have other rights which vary from state to state.

To obtain warranty service, first contact the local dealer from whom the product was purchased or go to <http://www.dometic.com> for a dealer near you.

12 Customer service

12.1 Toilet model identification

The toilet model identification label is located on the toilet base under the water valve. Please have this information ready if contacting Dometic for customer service.

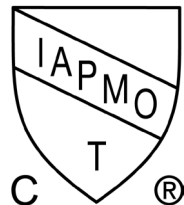
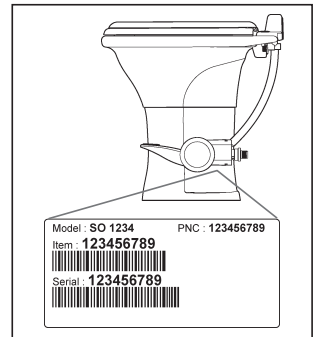
12.2 Contact information

There is a strong, worldwide network to assist in servicing and maintaining your toilet system. For the Authorized Service Center near you, please call from 8:00 a.m. to 5:00 p.m. (ET) Monday through Friday.

You may also contact or have your local dealer contact the Parts Distributor nearest you for quick response to your replacement parts needs. They carry a complete inventory for the Dometic product line.

Telephone:	1 800-321-9886	U.S.A. and Canada
	330-439-5550	International
Fax:	330-496-3097	U.S.A. and Canada
	330-439-5567	International

Web site: <http://www.Dometic.com>



Índice

ES

1	Notas relativas al uso de este manual	11
2	Instrucciones generales de seguridad.	11
3	Uso previsto.	12
4	Especificaciones	12 - 13
5	Componentes	13
6	Instalación	13 - 14
7	Funcionamiento	14
8	Limpieza	15
9	Acondicionamiento para el invierno y almacenamiento	15 - 16
10	Solución de averías	17
11	Garantía.	18
12	Servicio de atención al cliente.	19

1 Notas relativas al uso de este manual**¡Precaución!**

Indicación de seguridad: si no respeta esta indicación, se pueden producir daños materiales y perjudicar el funcionamiento del dispositivo.

**Nota**

Información suplementaria relativa al manejo del dispositivo.

fig. **1 A**, **pág. 2** : se refiere a un elemento de un dibujo. En este ejemplo, elemento A en la figura 1 de la **pág. 2**.

2 Instrucciones generales de seguridad

El fabricante no se hará responsable de las reclamaciones por daños resultantes de alguno de los siguientes casos:

- Montaje o conexión incorrectos
- Daños producidos por influencias mecánicas
- Modificaciones efectuadas sin la autorización expresa por escrito del fabricante
- Uso para fines distintos de los descritos en el manual de funcionamiento

2.1 Advertencias

Antes de proceder a la instalación, mantenimiento o funcionamiento de este producto se deben leer y comprender las siguientes instrucciones. La modificación del producto podría conllevar daños materiales.

1. No utilice en el sistema cloro ni sustancias químicas cáusticas, como lejía o desatascadores, pues tales sustancias dañan las juntas de los inodoros y otras válvulas de las tuberías.
2. No deseche en el inodoro ningún objeto que no corresponda (toallas de papel, vasos de papel, pañales, compresas, etc.).
3. Los inodoros con juntas mecánicas están concebidos únicamente para descargar directamente a un depósito de retención. La tubería no se puede tender en horizontal, tal y como se hace en los sistemas de tuberías convencionales del ámbito doméstico o comercial.
4. La taza del inodoro se debe limpiar regularmente y acondicionar para el invierno conforme a lo indicado en los apartados "Limpieza" y "Acondicionamiento para el invierno y almacenamiento" de las páginas 15 y 16. En caso de no hacerlo así, la garantía podría perder su validez.

3 Uso previsto

El inodoro Dometic modelo 310 es un inodoro de peso ligero y de tamaño doméstico que se instala directamente encima de un depósito de retención.

3.1 Ventajas

Tecnología PowerFlush. La salida de agua optimizada y presurizada por el borde interno de la taza crea un torbellino de agua a alta velocidad que garantiza el enjuagado de toda la taza.

Confort Premium para el usuario. El asiento de tamaño normal con una altura de 18 pulgadas (457 mm) y la taza profunda le permiten sentirse como en casa.

Instalación fácil. El diseño de dos pernos es adecuado para la mayoría de las bridas de suelo para inodoros, lo cual resulta muy práctico cuando se cambia el inodoro. Únicamente se ha de colocar la brida en el suelo, apretar los pernos, conectar el agua y ya queda dispuesto para el uso.

Diseño compacto. La base pequeña y la distancia mínima de 10 pulgadas (254 mm) entre la pared trasera y el centro de la abertura de descarga del inodoro son apropiadas para casi todos los cuartos de baño.

Ergonómicamente mejorado con operación por pedal. Pedal de altura reducida para facilitar el uso; acción “en una dirección” para añadir agua y activar la cisterna.

4 Especificaciones

4.1 Materiales

Taza del inodoro: cerámica vítrea

Pedal: polipropileno

Asiento del inodoro: polipropileno

Válvula de agua: polipropileno

Junta de la válvula de flotador:
caucho de nitrilo y de butilo

Disyuntor de vacío: ABS/polipropileno

Base del inodoro: polipropileno

Junta del suelo: caucho de nitrilo, espuma

4.2 Requisitos mínimos para la instalación

Alimentación de agua	Racor	NPT de 0,5 pulgadas
	Tasa de caudal	3,0-5,0* gpm/11,4-18,9 lpm recomendada 2,0 gpm/9,5 lpm mínima
	Presión estática	30-100 PSI/206,8-689,5 kPa
Descarga	Brida del suelo	3 pulg./76 mm Di; ¼-7/16 pulg. (6-11 mm) de grueso

* Si la alimentación de agua supera 5,0 los gpm, puede ser necesario montar un restrictor de caudal en la entrada del inodoro. Queda reservado el derecho a modificar los datos sin previo aviso.

4.3 Medidas del inodoro (fig. 2, pág. 2)

Ref.	Dimension	Ref.	Dimension
A	508 mm / 20 pulg.	D	457 mm / 18 pulg. - altura del asiento
B	381 mm / 15 pulg.	E	375 mm / 14,75 pulg.
C	483 mm / 19 pulg.	F	838 mm / 33 pulg. - tapa del asiento

4.4 Distancia mínima entre la pared trasera y el centro de la abertura de descarga del inodoro (fig. 3, pág. 2)

Ref.	Medidas/descripción	Ref.	Medidas/descripción
A	254 mm /10 pulg.	E	Pared izquierda
B	Brida del suelo	F	Pared trasera
C	279 mm / 11 pulg.	G	Pared derecha
D	279 mm / 11 pulg.		

5 Componentes (fig. 1, pág. 2)

Ref.	Descripción	Ref.	Descripción
A	Asiento del inodoro	G	Cubierta del disyuntor de vacío
B	Junta de la válvula de flotador	H	Disyuntor de vacío
C	Taza del inodoro	I	Válvula de agua
D	Base del inodoro	J	Juego de fijación al suelo
E	Pedal de la cisterna		
F	Junta de la brida del suelo		

Para obtener más información, consulte a completar la lista de piezas (disponible en www.dometic.com)

6 Instalación



Nota

Asegúrese de que, al ser presionado, el pedal toque la misma superficie plana sobre la cual se haya instalado el inodoro.



Nota

Asegúrese de seguir los requisitos de instalación recomendados en el apartado 4.2 de este manual.

6.1 Herramientas necesarias

- alicates o llave inglesa ajustable
- llave inglesa de 7/16 pulgadas/11 mm

6.2 Instalación de inodoro

1. Para cambiar el inodoro, cierre la alimentación de agua al inodoro. Extraiga y drene la línea de alimentación de agua. Retire los pernos o tornillos de sujeción del inodoro. Separe el inodoro del suelo. Retire y deseche la antigua junta de la brida del suelo y los pernos de sujeción. Compruebe que el centro de la brida del suelo queda por lo menos 10 pulgadas/254 mm separado de la pared trasera (fig. 3 A, pág. 2). Asegúrese de que la superficie superior de la brida del suelo esté limpia y exenta de residuos o sellante.

- Al instalar una nueva brida de suelo, asegúrese de que los agujeros para montar el inodoro estén colocados en el ángulo correcto (fig. 3 B, pág. 2). La brida del suelo debe estar asegurada al suelo con, por lo menos, cuatro tornillos (preferiblemente 8). Introduzca los dos pernos en T suministrados en las ranuras de la brida del suelo (fig. 4 , pág. 2).
- Compruebe que la junta de la brida del suelo esté instalada en la base del inodoro (fig. 5 A, pág. 2). Coloque cuidadosamente el inodoro por encima de la brida del suelo. Alinee los agujeros en la base del inodoro con pernos en T mientras se desciende el inodoro sobre dicha brida. El inodoro debe estar alineado de tal modo que la salida de la base quede se ajuste dentro del agujero de salida de la brida.

**Nota**

Ahora la base del inodoro todavía no está totalmente en contacto con el suelo. En pasos subsiguientes se debe presionar la junta del suelo.

- Monte las tuercas de montaje y las arandelas en los pernos en T. Apriete cuidadosamente las tuercas con un par de 30-40 libras por pulgadas. **NO APRIETE EXCESIVAMENTE.** Apriete de forma alternante cada lado para evitar que se distorsione la base. Una vez apretadas las tuercas, la base se debe fijar al suelo de forma que quede plana. Fije las cubiertas de los pernos en las tuercas. (Fig. 5 B, pág. 2)
- Si el inodoro se instala en una cabina de ducha, coloque un cordón de calafateado alrededor de la base del inodoro a fin de evitar filtraciones de agua por debajo de la base.
- Conecte la línea de alimentación de agua y apriete la conexión con un par de 30-40 libras por pulgadas. **NO APRIETE EXCESIVAMENTE.** (Fig. 5 C, pág. 2)
- Abra la línea de alimentación de agua. Active varias veces la cisterna y compruebe si hay fugas.

7 Funcionamiento

7.1 Añadir agua a la taza

Para añadir agua al inodoro, pise suavemente el pedal de la cisterna. Sale agua a la taza, al tiempo que la válvula de flotador permanece cerrada. Si la válvula se mueve, ejerza menos presión sobre el pedal. Añadir agua a una taza vacía ayuda a prevenir que el olor del depósito de retención llegue al habitáculo. Se recomienda añadir agua antes de activar la cisterna para eliminar desechos sólidos y papel higiénico.



7.2 Activar la cisterna del inodoro

Para activar la cisterna pise el pedal hasta tocar el suelo. Suelte el pedal cuando se haya descargado completamente la cisterna.

- Para eliminar líquidos, pise el pedal durante 1-2 segundos.
- En el caso de desechos sólidos, pise el pedal hasta que se hayan eliminado de la taza. Si se activa la cisterna más tiempo del necesario, el depósito se llena con demasiada rapidez.

Después de haber activado la cisterna, queda una pequeña cantidad de agua en la taza para crear una estanqueidad al aire.

**Nota**

Para evitar que el olor del depósito de retención penetre en el habitáculo, asegúrese de que quede una pequeña cantidad de agua en la taza del inodoro.

8 Limpieza

8.1 Limpieza rutinaria del inodoro

Para la limpieza rutinaria, utilice el limpiador de olores Dometic. Si no lo encuentra en su localidad, infórmese en Dometic sobre su distribuidor más próximo. Si el agente limpiador no está disponible, utilice cualquier producto no abrasivo para limpiar tazas de inodoros. Siga las instrucciones dadas en la etiqueta.

8.2 Limpiar la válvula de flotador/junta de la cisterna

Después de cierto tiempo los sedimentos minerales del agua dura se pueden concentrar en la válvula de flotador o en la junta de la cisterna teniendo como consecuencia un lento goteo de agua. Para evitar esto, limpie con regularidad la válvula de flotador y la junta.

1. Elimine los residuos pequeños de la válvula de flotador y de la junta pisando lentamente y soltando varias veces el pedal de la cisterna. Con ello se soltarán y eliminarán los residuos de las superficies. En caso de sedimentos especialmente persistentes, repita varias veces este proceso.
2. Si el paso 1 no limpia completamente la válvula de flotador y la junta, límpielas usando un cepillo suave y el limpiador de olores Dometic. Limpie completamente la parte superior de la válvula de flotador y por debajo de la junta donde la misma entra en contacto con el flotador. Después de limpiar la parte inferior de la junta, aplique una presión leve hacia abajo sobre la junta mientras cepilla alrededor del perímetro completo de la junta.
3. Después de limpiar la junta, presiónela hacia abajo para asegurarse de que quede completamente al ras de la válvula de flotador.
4. Si estos pasos no corrigen las fugas a través de la junta, es posible que deba reemplazarla.



9 Acondicionamiento para el invierno y almacenamiento

Si se guarda un inodoro Dometic durante un tiempo prolongado o si queda expuesto a temperaturas por debajo del punto de congelación, el inodoro se debe acondicionar para el invierno o guardar siguiendo uno de los dos procedimientos que se detallan a continuación.



Precaución

Este inodoro no fue diseñado para ser expuesto a temperaturas por debajo de los 32°F/0°C.



Precaución

Nunca utilice anticongelante automotor (etilenglicol) en sistemas de agua fresca.



Nota

Utilice anticongelante no tóxico (propilenglicol) diseñado para sistemas de agua potable. (Consulte el manual del propietario del vehículo).

9.1 Opciones de almacenamiento

Acondicionamiento anticongelante no tóxico para el invierno (método recomendado)

1. Vierta anticongelante en el depósito de agua potable siguiendo las instrucciones dadas por el fabricante del anticongelante.
2. Active varias veces la cisterna hasta que el anticongelante haya fluido por todo el inodoro. En el caso de inodoros con ducha de mano, ésta debe estar activada para garantizar que el anticongelante circule por ella.

Drenar el agua del inodoro

1. Cierre la alimentación de agua al inodoro.
2. Desconecte la línea de alimentación de agua de la válvula de agua.
3. Coloque un pequeño recipiente debajo de la entrada de la válvula de agua para recoger el agua que gotea.
4. Pise el pedal de la cisterna y deje que salga todo el agua de la válvula de agua y del disyuntor de vacío.
5. La manguera de agua debe permanecer desconectada hasta que la amenaza de congelación temperatura es pasado.



Nota

Nunca deje el vehículo o las instalaciones desocupadas durante largos períodos de tiempo con el suministro municipal de agua abierto o la bomba de agua encendida cuando exista la posibilidad de que la temperatura caiga por debajo del punto de congelación.

IMPORTANTE:

La garantía del inodoro no cubre los daños causados a la válvula de agua por congelación

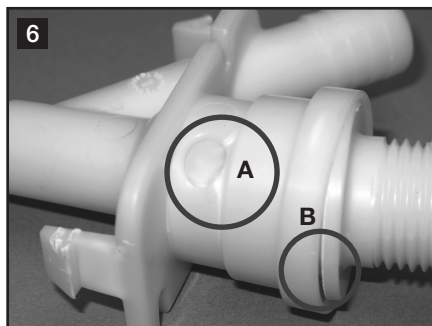
La garantía del inodoro Dometic 310 excluye expresamente los daños causados al inodoro o al vehículo por el mal acondicionamiento para el invierno del inodoro. **Una indicación de que no se realizó correctamente el acondicionamiento para el invierno es el daño por congelación de la válvula de agua, lo que causa fugas.**

Las válvulas de agua del inodoro Dometic 310 exceden el valor máximo de presión según lo definen las agencias normativas norteamericanas de plomería. Sin embargo, si el agua atrapada se congela en las tuberías que suministran agua al inodoro, se expandirán y crearán presiones extremadamente altas que podrían dañar la válvula (vea la fotografía). Para evitar esta situación, acondicione el inodoro para el invierno como lo indica este manual. Si ocurren daños por congelación a causa de un acondicionamiento para el invierno mal realizado, reemplace la válvula de agua con un kit de válvula de agua para inodoros 310, número de pieza 385311641.

SI DEVUELVE LA VÁLVULA BAJO RECLAMO DE GARANTÍA, DOMETIC SE RESERVA EL DERECHO DE RECHAZAR EL RECLAMO SI EL PROBLEMA FUE CAUSADO POR CONGELACIÓN.

Fig. 6 A – Ventanilla indicadora de daños por congelación: las marcas blancas de tensión indican daños causados por congelación

B – Daños a la válvula de agua causados por la exposición severa a temperaturas bajo 32°F/0°C



10 Solución de averías

Problema	Posible causa	Medida
1. El agua no permanece en la taza.	<ul style="list-style-type: none"> a. La junta de la válvula de flotador no está colocada correctamente. b. La válvula de flotador o la junta están sucias. c. Junta de la válvula de flotador gastada o dañada. 	<ul style="list-style-type: none"> a. Presione el pedal para mantener la válvula de flotador abierta y presione levemente hacia abajo alrededor de la junta de la válvula de flotador para alinearla correctamente b. Limpie la válvula de flotador y la junta. c. Cambie la junta.
2. El inodoro desprende olor cuando la válvula de flotador está abierta.	<ul style="list-style-type: none"> a. Ventilación del depósito de ventilación obstruida. b. El contenido del depósito de retención desprende olor. 	<ul style="list-style-type: none"> a. Desobstruya la ventilación. b. Añada desodorante al depósito de retención.
3. El inodoro desprende olor cuando la válvula de flotador está cerrada.	<ul style="list-style-type: none"> a. No hay agua en la taza. b. Junta de la válvula de flotador dañada. c. Junta de la brida del suelo dañada. 	<ul style="list-style-type: none"> a. Añada agua a la taza. b. Cambie la junta. c. Cambie la junta del suelo.
4. La válvula de flotador no cierra del todo.	<ul style="list-style-type: none"> a. Demasiada fricción entre la válvula de flotador y la junta. 	<ul style="list-style-type: none"> a. Limpie y lubrique la válvula de flotador y la junta con spray de silicona o con abrillantador para muebles.
5. No deja de correr agua en la taza.	<ul style="list-style-type: none"> a. Válvula de agua gastada o defectuosa. 	<ul style="list-style-type: none"> a. Cambie la válvula de agua.
6. El agua no descarga correctamente en la taza del inodoro.	<ul style="list-style-type: none"> a. Insuficiente caudal de agua en la entrada del inodoro. b. El filtro de la entrada de la válvula de agua está atascado. c. La válvula de agua está gastada o dañada. d. Los orificios de salida de agua del inodoro están obstruidos. 	<ul style="list-style-type: none"> a. Asegúrese de que el caudal de entrada en el inodoro es de 3,0 – 5,0 gpm/11,4 – 18,9 lpm (caudal recomendado). b. Limpie la malla de admisión de la válvula de agua. c. Cambie la válvula de agua. d. Limpie los orificios del borde del inodoro.
7. La ducha de mano gotea (La ducha de mano no está equipado con todos los inodoros).	<ul style="list-style-type: none"> a. La ducha de mano está averiada. 	<ul style="list-style-type: none"> a. Cambie la ducha de mano.
8. Gotea agua de la válvula de agua.	<ul style="list-style-type: none"> a. La conexión de la línea de agua está suelta o no está correctamente colocada. b. La válvula de agua está dañada o averiada. 	<ul style="list-style-type: none"> a. Asegúrese de que las roscas estén bien enroscadas y apriete la conexión. b. Cambie la válvula de agua.
9. Gotea agua de la base del inodoro.	<ul style="list-style-type: none"> a. El inodoro no está asegurado al suelo. b. Junta de la brida del suelo gastada o defectuosa. 	<ul style="list-style-type: none"> a. Apriete los pernos de montaje del inodoro. b. Cambie la junta de la brida del suelo.
10. Gotea agua de la parte trasera del inodoro.	<ul style="list-style-type: none"> a. Suelte el disyuntor de vacío. b. Disyuntor de vacío defectuoso o dañado. c. Taza del inodoro agrietada o defectuosa. 	<ul style="list-style-type: none"> a. Asegúrese de que el vástago del disyuntor de vacío esté totalmente inserto en el manguito de obturación situado en la parte trasera de la taza. b. Cambie el disyuntor de vacío. c. Cambie el inodoro.

11 Garantía

Garantía del fabricante limitada a dos años

Dometic Corporation garantiza, sólo al comprador original, que este inodoro Dometic® con descarga por gravedad, siempre y cuando se le dé un uso personal, familiar o doméstico, estará exento de cualquier defecto de material o de fabricación durante un periodo de dos (2) años a partir de la fecha de compra.

Si a este producto Dometic se le da un uso comercial, se le garantizará al comprador original únicamente que estará libre de defectos de material y de fabricación durante un periodo de noventa días (90) a partir de la fecha de compra.

Dometic se reserva el derecho a sustituir o reparar cualquier pieza de este producto que, tras una inspección realizada por Dometic, se demuestre defectuosa en material o fabricación. Todos los costes de mano de obra y de transporte adicionales al servicio de garantía correrán a cargo del comprador/usuario.

EXCLUSIÓN DE RESPONSABILIDAD

EN NINGÚN CASO DOMETIC SE HARÁ RESPONSABLE DE DAÑOS FORTUITOS O EMERGENTES NI DE DAÑOS RESULTANTES DE UNA INSTALACIÓN INCORRECTA NI DE DAÑOS CAUSADOS POR NEGLIGENCIA, USO INDEBIDO, MODIFICACIÓN O USO DE PIEZAS NO AUTORIZADAS. ESTO INCLUYE FALLOS COMO CONSECUENCIA DE NO SEGUIR EL PROCEDIMIENTO DE ACONDICIONAMIENTO PARA EL INVIERNO O DE LIMPIEZA TAL Y COMO SE DESCRIBE EN ESTE MANUAL. TODAS LAS GARANTÍAS IMPLICADAS, INCLUYENDO CUALQUIER GARANTÍA IMPLICADA DE COMERCIALIDAD O DE IDONEIDAD PARA UN FIN DETERMINADO, SE LIMITAN A UN PERIODO DE UN (1) AÑO A PARTIR DE LA FECHA DE COMPRA.

GARANTÍAS IMPLICADAS

Queda terminantemente prohibido modificar, añadir o crear ninguna garantía u obligación diferentes de las aquí expuestas.

Las garantías implicadas, incluyendo las de comercialidad e idoneidad para un fin determinado, se limitan a un (1) año a partir de la fecha de compra para productos destinados al uso personal, familiar o doméstico, y a noventa (90) días a partir de la fecha de compra para productos destinados a un uso comercial.

OTROS DERECHOS

Algunos países no permiten limitar la duración de una garantía implicada y otros no permiten exclusión o limitación de la responsabilidad en relación a daños fortuitos o emergentes; por ello, puede ser que las limitaciones expuestas más arriba no se apliquen para usted. Esta garantía le proporciona a usted unos derechos jurídicos específicos y, dependiendo del país donde se encuentre, puede ser que también pueda disfrutar de otros derechos.

Para obtener el servicio de garantía, póngase en contacto con el distribuidor local del que adquirió este producto o visite la página <http://www.dometic.com> para encontrar un distribuidor próximo a usted.

12 Servicio de atención al cliente

12.1 Identificación del modelo de inodoro

La etiqueta de identificación del modelo del inodoro está situado en la base del inodoro, debajo de la válvula de agua. Tenga a mano esta información si contacta con el Servicio de Atención al Cliente de Dometic.

12.2 Información de contacto

Hay una sólida red mundial de mantenimiento y servicio para asistirle en lo referente a su sistema de inodoro. Para informarse sobre el Centro de Servicio Autorizado más cercano, llame por teléfono al número indicado más abajo entre las 8:00 h y las 17.00 h (hora del Este) de lunes a viernes.

También puede ponerse en contacto con el proveedor de piezas más cercano, directamente o a través de su distribuidor local, para obtener rápidamente las piezas de repuesto que necesite. Ellos tienen un inventario completo de la gama de productos Dometic.

Teléfono:	1 800-321-9886	EEUU y Canadá
	330-439-5550	Internacional
Fax:	330-496-3097	EEUU y Canadá
	330-439-5567	Internacional
Sitio web:	http://www.Dometic.com	

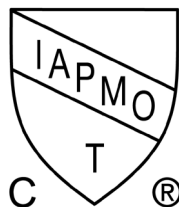
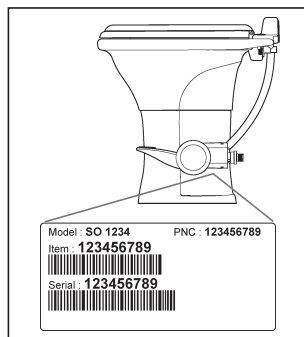


Table des matières

FR

1	Remarques concernant ce mode d'emploi	20
2	Consignes générales de sécurité	20
3	Usage conforme	21
4	Spécifications	21 - 22
5	Composants	22
6	Installation	22 - 23
7	Fonctionnement	23
8	Nettoyage	24
9	Hivernage et stockage	24 - 25
10	Recherche des pannes	26
11	Garantie	27
12	Service après vente	28

1 Remarques concernant ce mode d'emploi



Caution!

Consigne de sécurité : Le non-respect de cette consigne peut entraîner des dégâts matériels et entraver le fonctionnement de l'appareil.



Remarque

Informations supplémentaires relatives à l'utilisation de l'appareil.

fig. **1 A**, **page 2** : Ceci désigne un élément d'un schéma. Dans cet exemple, l'item A du schéma 1 sur la page 2.

2 Consignes générales de sécurité

Le fabricant ne saurait être tenu responsable dans les cas suivants :

- Assemblage ou connexions incorrects
- Appareil endommagé par des influences mécaniques
- Modification de l'appareil sans l'autorisation écrite expresse du fabricant
- Utilisations autres que celles décrites dans le mode d'emploi

2.1 Avertissements

Veuillez bien lire et comprendre les instructions suivantes avant d'installer, de réparer et/ou d'utiliser ce produit. Des dommages matériels peuvent survenir en cas de modification de ce produit.

1. N'introduisez pas de chlore ou de produits chimiques caustiques, tels que de l'eau de javel ou des produits déboucheurs, dans le système. Ces produits risquent d'endommager les joints des toilettes ou d'autres vannes de tuyauterie.
2. Ne tirez pas la chasse d'eau sur des corps étrangers (serviettes en papier, gobelets en papier, couches, serviettes hygiéniques, etc.).
3. Les toilettes à joint mécanique sont conçues uniquement pour être directement évacuées dans un réservoir d'eaux noires. Les circuits de tuyauterie horizontaux conventionnels que l'on trouve dans les habitations ou dans le commerce ne sont pas adaptés.
4. La cuvette de la toilette doit être nettoyée régulièrement et hivernée conformément aux procédures « Nettoyage » et « Hivernage et stockage » indiquées aux pages 24 et 25. Sinon, cela risque d'annuler la garantie.

3 Usage conforme

La toilette Dometic modèle 310 est une toilette légère, de dimensions semblables à celles d'une toilette de maison, qui s'installe directement au-dessus du réservoir d'eaux noires.

3.1 Avantages

Technologie PowerFlush. Le flux pressurisé de rebord amélioré génère un tourbillon d'eau à grande vitesse pour un rinçage complet de la cuvette.

Confort de l'utilisateur de première qualité. Grâce au siège large d'une hauteur de 18 pouces (457 mm) et à la cuvette profonde, on a davantage l'impression d'être chez soi.

Installation simple. Le modèle à deux boulons convient pour la plupart des embases de toilettes. Idéal pour les nouvelles installations ou pour les remplacements d'installations. Il vous suffit de placer la toilette sur l'embase, de serrer les boulons, de connecter l'alimentation en eau et c'est terminé.

Modèle compact. Un petit empattement et une robinetterie brute de 10 pouces (254 mm) qui conviennent à presque toutes les toilettes.

Fonctionnement à pédale plus ergonomique. Pédale plus basse pour plus grande facilité d'utilisation ; actionnement unidirectionnel pour ajouter de l'eau et rincer.

4 Spécifications

4.1 Matériaux

Cuvette de la toilette : céramique vitreuse

Pédale : polypropylène

Siège de la toilette : polypropylène

Vanne hydraulique : polypropylène

Joint de la bille d'évacuation :
caoutchouc nitrile butyle

Vanne casse-vide : ABS/polypropylène

Joint de sol : caoutchouc nitrile, mousse

Base de la toilette : polypropylène

4.2 Configuration minimum requise

Alimentation en eau	Raccord	NPT de 0,5 pouces
	Débit	recommandé : 3,0-5,0* gpm/11,4-18,9 lpm minimum : 2,0 gpm/9,5 lpm
	Pression statique	30-100 PSI / 206,8-689,5 kPa
Evacuation	Embase	3 pouces/76 mm de diamètre : 1/4-7/16 po (6-11 mm) d'épaisseur

* Une alimentation en eau supérieure à 5,0 gpm peut nécessiter un restricteur de débit à l'entrée de la toilette. Spécifications sous réserve de modifications sans préavis.

4.3 Dimensions de la toilette (fig. 2, page 2)

Réf.	Dimension	Réf.	Dimension
A	508 mm / 20 pouces	D	457 mm / 18 pouces - hauteur du siège
B	381 mm / 15 pouces	E	375 mm / 14,75 pouces
C	483 mm / 19 pouces	F	838 mm / 33 pouces - couvercle

4.4 Dimensions de la robinetterie brute (fig. 3, page 2)

Réf.	Dimension/Description
A	254 mm /10 pouces
B	Embase
C	279 mm / 11 pouces
D	279 mm / 11 pouces

Réf.	Dimension/Description
E	Paroi gauche
F	Paroi arrière
G	Paroi de droite

5 Composants (fig. 1, page 2)

Réf.	Description
A	Siège de la toilette
B	Joint de la bille d'évacuation
C	Cuvette de la toilette
D	Base de la toilette
E	Pédale d'évacuation
F	Joint de l'embase

Réf.	Description
G	Couvercle de la vanne casse-vide
H	Vanne casse-vide
I	Vanne hydraulique
J	Kit de matériel de montage au sol

Pour plus d'informations, reportez-vous à compléter la liste des pièces (disponible à www.dometic.com)

6 Installation



Remarque

Veillez à ce que la pédale, lorsque vous appuyez dessus, touche la surface plane sur laquelle la toilette est installée.



Remarque

Veillez à bien respecter la configuration requise recommandée dans la section 4.2 de ce mode d'emploi.

6.1 Outils requis

- pince ou clé ajustable
- clé 7/16 pouces/11 mm

6.2 Instalación de inodoro

1. Pour remplacer une ancienne toilette, coupez l'alimentation en eau de la toilette. Retirez la ligne d'alimentation en eau et purgez-la. Retirez les boulons/vis de maintien de la toilette. Séparez la toilette du sol. Retirez et jetez l'ancien joint d'embase et les anciens boulons de maintien. Vérifiez que le centre de l'embase se trouve à au moins 10 pouces/254 mm de la paroi arrière (fig. 3 A, page 2). Vérifiez que la surface de l'embase est propre et dégagée de tout débris ou produit d'étanchéité.
2. Si vous installez une nouvelle embase, assurez-vous que les trous de montage de la toilette sont

situés selon le bon angle (fig. **3** B, page 2). L'embase doit être bien fixée au sol, à l'aide de quatre vis minimum (8 de préférence). Insérez deux des boulons en T fournis aux emplacements dans l'embase (fig. **4**, page 2).

- Vérifiez que le joint de l'embase est placé à la base de la toilette (fig. **5** A, page 2). Installez soigneusement la toilette sur l'embase. Alignez les trous situés à la base de la toilette avec les boulons en T, tout en enfonçant la toilette dans l'embase. La toilette doit être alignée de façon à ce que la sortie de la base corresponde avec le trou de sortie de l'embase.



Remarque

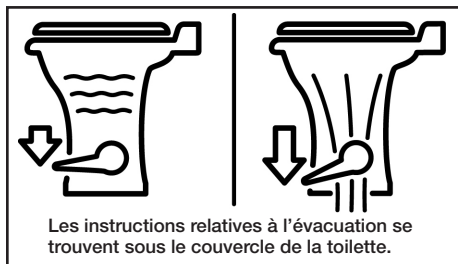
La base ne repose pas sur le sol à ce stade de l'installation. Comprimez le joint de sol en suivant les étapes suivantes.

- Placez les écrous et les rondelles de montage au sol sur les boulons en T. Serrez les écrous à 30-40 pouces-livres. **NE SERREZ PAS EXCESSIVEMENT**. Serrez en alternant entre les deux côtés pour éviter que la base ne se torde. Lorsque vous serrez les écrous, veillez à ce que la base soit bien à plat et solidement fixée au sol. Fixez les cache-écrous sur les écrous. (Fig. **5** B, page 2)
- Si vous installez la toilette dans une cabine de douche, appliquez un filet de pâte de colmatage autour de la base de la toilette pour éviter que l'eau ne s'infilte sous la base.
- Connectez la ligne d'alimentation en eau avec un couple de 30-40 pouces-livres. **NE SERREZ PAS EXCESSIVEMENT**. (Fig. **5** C, page 2)
- Ouvrez la ligne d'alimentation en eau. Rincez la toilette plusieurs fois et contrôlez qu'il n'y a pas de fuites.

7 Fonctionnement

7.1 Ajouter de l'eau dans la cuvette

Pour ajouter de l'eau dans la toilette, abaissez partiellement la pédale d'évacuation. L'eau afflue dans la cuvette tandis que la vanne à bille de l'évacuation reste fermée. Si la vanne à bille de l'évacuation bouge, relevez légèrement la pédale. L'ajout d'eau dans une cuvette vide permet d'éviter que les odeurs du réservoir d'eaux noires ne se dégagent dans l'espace de vie. Il est recommandé d'ajouter de l'eau avant d'évacuer les matières solides et le papier hygiénique.



7.2 Chasse d'eau

Pour tirer la chasse d'eau, appuyez sur la pédale jusqu'à ce qu'elle touche le sol. Relâchez la pédale lorsque le rinçage est terminé.

- Lors de l'évacuation de liquides, appuyez sur la pédale pendant 1 ou 2 secondes.
- Lors de l'évacuation de matières solides, appuyez sur la pédale jusqu'à ce que la cuvette soit propre. Si vous activez la chasse d'eau plus longtemps que nécessaire, le réservoir d'eaux noires se remplira trop vite.

Un peu d'eau s'accumulera dans la cuvette après l'évacuation, formant un joint étanche à l'air.



Remarque

Pour éviter que les odeurs du réservoir d'eaux noires ne pénètrent dans l'espace de vie, vérifiez qu'il reste un peu d'eau dans la cuvette de la toilette.

8 Nettoyage

8.1 Nettoyage régulier de la toilette

Pour le nettoyage régulier, utilisez le produit détergent Dometic. Si vous ne pouvez pas vous le procurer sur place, contactez Dometic pour connaître le revendeur le plus proche de chez vous. Si le détergent n'est pas disponible, vous pouvez utiliser la plupart des détergents non abrasifs pour cuvettes de toilettes et salle de bain. Veuillez vous conformer aux instructions sur l'étiquette.

8.2 Nettoyage du joint/de la bille d'évacuation

Au bout d'un certain temps, des dépôts minéraux provenant des eaux dures peuvent se former sur la vanne à bille d'évacuation ou sur le joint, induisant une lente fuite d'eau. Pour éviter cela, nettoyez régulièrement la vanne à bille et le joint.

1. Retirez les petits débris présents sur la vanne à bille d'évacuation et sur le joint, puis appuyez et relâchez lentement la pédale d'évacuation plusieurs fois de suite. Cela permettra de détacher et d'éliminer les débris présents sur les surfaces. Si les dépôts persistent, répétez plusieurs fois l'opération.
2. Si l'étape 1 ne permet pas de nettoyer complètement la bille et le joint, nettoyez-les à l'aide d'une brosse en soie douce et du détergent pour cuvettes de toilettes Dometic. Nettoyez complètement la partie supérieure de la bille d'évacuation et le dessous du joint en contact avec la bille d'évacuation. Une fois le dessous du joint nettoyé, appuyez légèrement sur le dessus du joint tout en brossant tout autour de celui-ci.
3. Une fois le nettoyage effectué, appuyez légèrement autour du joint pour veiller à ce qu'il assure l'étanchéité contre la bille d'évacuation.
4. Si cela ne permet pas d'éliminer la fuite, il peut s'avérer nécessaire de remplacer le joint..



9 Hivernage et stockage

Si vous entreposez une toilette Dometic pendant une longue période ou que vous l'exposez à des températures en dessous de zéro, elle doit être hivernée ou entreposée dans le respect des procédures suivantes.



Attention

Cette toilette n'est pas destinée à une utilisation à une température inférieure à 0°C.



Attention

N'utilisez jamais d'antigel pour automobiles (éthylèneglycol) dans un système d'eau potable.



Remarque

Utilisez un antigel non toxique (propylèneglycol) conçu pour des systèmes d'eau potable. (Consultez le manuel d'utilisation du véhicule.)

9.1 Options de stockage

Hivernation avec antigel non toxique (méthode recommandée)

1. Versez de l'antigel dans le réservoir d'eau potable en suivant les instructions du fabricant d'antigel.
2. Tirez plusieurs fois la chasse d'eau des toilettes jusqu'à ce que l'antigel ait été complètement évacué par la toilette. Pour les toilettes avec vaporisateur manuel, le vaporisateur manuel doit être ouvert pour que l'antigel circule dans le vaporisateur.

Evacuation de l'eau de la toilette

1. Ouvrez l'alimentation en eau de la toilette.
2. Retirez la ligne d'alimentation de l'eau de la vanne hydraulique.
3. Placez un petit récipient sous l'entrée de la vanne hydraulique pour recueillir l'eau qui s'écoule.
4. Appuyez sur la pédale d'évacuation et laissez toute l'eau s'écouler de la vanne hydraulique et de la vanne casse-vide.
5. Tuyau d'eau doit rester déconnectée jusqu'à ce que la menace de gel température est passé.



Remarque

Ne laissez jamais le véhicule ou ne quittez jamais les lieux pendant une période prolongée lorsque l'alimentation en eau ou la pompe à eau à bord sont ouvertes et qu'il y a un risque de gel.

IMPORTANT :

La garantie de la toilette ne couvre pas le robinet d'eau contre les dommages liés au gel

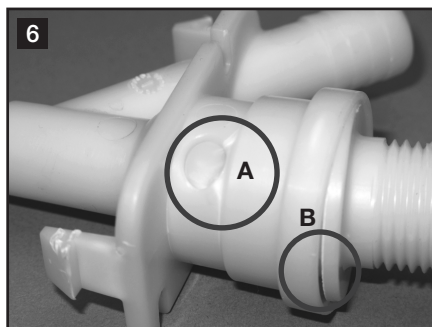
La garantie de la toilette Dometic 310 exclut expressément la couverture des dommages subis par la toilette ou le véhicule en raison d'un hivernage inapproprié de la toilette. **Les dommages liés au gel subis par le robinet d'eau et entraînant des fuites sont révélateurs d'un hivernage inapproprié.**

Les robinets d'eau des toilettes Dometic 310 surpassent les exigences de pression d'eau maximale définies par les agences du code de plomberie nord-américain. Cependant, si de l'eau piégée gèle dans les canalisations qui alimentent la toilette en eau, elle se dilate et crée une pression extrêmement élevée qui endommagera le robinet (reportez-vous à la photo). Pour éviter cela, procédez à l'hivernage de la toilette comme décrit dans ce manuel. Si des dommages liés au gel surviennent en raison d'un hivernage inapproprié, remplacez le robinet d'eau avec un ensemble de robinet d'eau pour toilette 310 (numéro de pièce 385311641).

SI UN ROBINET EST RENVOYÉ DANS LE CADRE D'UNE RÉCLAMATION AU TITRE DE LA GARANTIE, DOMETIC SE RÉSERVE LE DROIT DE REJETER LA RÉCLAMATION SI LE PROBLÈME EST DÛ À DES DOMMAGES LIÉS AU GEL.

Fig. 6 A – Fenêtre indicatrice de dommages dus au gel : des marques de contrainte blanches indiquent des dommages liés au gel

B – Dommages subis par le robinet d'eau en raison d'une grave exposition à une température inférieure à 0 °C



10 Recherche des pannes

Problème	Cause possible	Instructions pour la réparation
1. L'eau ne reste pas dans la cuvette.	a. Le joint de la bille d'évacuation n'est pas bien positionné. b. La bille d'évacuation ou le joint est encrassé. c. Le joint de la bille d'évacuation est usé ou endommagé.	a. Appuyez sur la pédale pour maintenir la bille d'évacuation ouverte, puis appuyez légèrement sur le tour du joint de la bille avec votre doigt pour qu'il se moule sur la bille d'évacuation. b. Nettoyez la bille d'évacuation et le joint. c. Changez le joint.
2. Des odeurs se dégagent de la toilette lorsque la bille d'évacuation est ouverte.	a. Event du réservoir d'eaux noires bouché. b. Odeurs provenant du contenu du réservoir d'eaux noires.	a. Débouchez l'évent. b. Ajoutez du déodorant au réservoir d'eaux noires.
3. Des odeurs se dégagent de la toilette lorsque la bille d'évacuation est fermée.	a. Il n'y a pas d'eau dans la cuvette. b. Le joint de la bille d'évacuation est endommagé. c. Le joint de l'embase est endommagé.	a. Ajoutez de l'eau dans la cuvette. b. Changez le joint. c. Changez le joint de l'embase.
4. La bille d'évacuation ne se ferme pas complètement.	a. Demasiada fricción entre la válvula de flotador y la junta.	a. Nettoyez et lubrifiez la bille d'évacuation et le joint avec un spray de silicone ou de la cire pour meubles.
5. L'écoulement d'eau dans la toilette ne s'arrête pas.	a. Vanne hydraulique usée ou défectueuse.	a. Remplacez la vanne hydraulique.
6. L'eau ne pénètre pas correctement dans la cuvette.	a. Débit d'eau insuffisant à l'entrée de la toilette. b. L'écran à l'entrée de la vanne hydraulique est bouché. c. La vanne hydraulique est usée ou endommagée. d. Les orifices de rinçage du rebord de la toilette sont bouchés.	a. Vérifiez que le débit d'eau à l'entrée de la toilette est de 3,0-5,0 gpm/ 11,4-18,9 lpm (débit recommandé). b. Nettoyez le filtre d'arrivée du robinet d'eau. c. Remplacez la vanne hydraulique. d. Nettoyez les orifices de rinçage du rebord.
7. Fuites du vaporisateur manuel (le vaporisateur manuel ne est pas fourni avec toutes les toilettes).	a. Le vaporisateur manuel est défectueux.	a. Remplacez le vaporisateur manuel.
8. De l'eau fuit de la vanne hydraulique.	a. La ligne d'eau est déconnectée ou n'est pas connectée correctement. b. La vanne hydraulique est endommagée ou défectueuse.	a. Vérifiez que les filetages ne sont pas endommagés et serrez le raccord. b. Remplacez la vanne hydraulique.
9. De l'eau fuit de la base de la toilette.	a. La toilette n'est pas fixée au sol. b. Joint d'embase usé ou défectueux.	a. Serrez les boulons de montage de la toilette. b. Changez le joint de l'embase.
10. De l'eau fuit de l'arrière de la toilette.	a. Vanne casse-vide déconnectée. b. Casse-vide endommagé ou défectueux. c. Cuvette fendue ou défectueuse.	a. Vérifiez que la tige de la vanne casse-vide est complètement enfoncée dans la rondelle joint à l'arrière de la toilette. b. Changez la vanne casse-vide déconnectée. c. Remplacez la toilette.

11 Garantie

Garantie du fabricant limitée à deux ans

Le groupe Dometic garantit à l'acheteur d'origine uniquement que cette toilette à évacuation gravitaire Dometic®, si elle est utilisée à des fins personnelles, familiales et dans le cadre privé, est exempte de défauts de matériau et de fabrication pour une période de deux ans à compter de la date d'achat.

Si ce produit Dometic est utilisé à des fins commerciales, nous garantissons à l'acheteur d'origine exclusivement que ce produit est exempt de défauts de matériau et de fabrication pour une période de quatre-vingt-dix (90) jours à compter de la date d'achat.

Dometic se réserve le droit de remplacer ou réparer toute pièce de ce produit s'avérant, après inspection par Dometic, présenter des défauts de matériau ou de fabrication. Tous les coûts de laboratoire et de transport ou les frais relatifs au service de garantie sont à la charge de l'acheteur-utilisateur.

EXCLUSIONS

DOMETIC NE PEUT EN AUCUN CAS ÊTRE TENU RESPONSABLE DE DOMMAGES ACCIDENTELS OU CONSÉCUTIFS, DE DOMMAGES RÉSULTANT D'UNE INSTALLATION IMPROPRE OU DE DOMMAGES CAUSÉS PAR LA NÉGLIGENCE, L'UTILISATION ABUSIVE, L'ALTÉRATION OU L'USAGE DE COMPOSANTS NON AUTORISÉS. CELA CONCERNE NOTAMMENT LES DOMMAGES RESULTANT D'UN NON-RESPECT DES PROCEDURES D'HIVERNATION OU DE NETTOYAGE DECRITES DANS LE PRESENT MANUEL D'UTILISATEUR. TOUTES LES GARANTIES IMPLICITES, Y COMPRIS LA GARANTIE DE VALEUR MARCHANDE ET LA GARANTIE D'APTITUDE POUR UN USAGE PARTICULIER, SONT LIMITÉES À UNE PÉRIODE D'UN AN À COMPTER DE LA DATE D'ACHAT.

GARANTIES IMPLICITES

Il est strictement interdit de modifier les garanties ou obligations telles qu'elles sont fixées ici, d'y faire des ajouts ou d'en créer d'autres.

Les garanties implicites, y compris la garantie de valeur marchande et la garantie d'aptitude pour un usage particulier, sont limitées à une période d'un (1) an à compter de la date d'achat pour les produits utilisés à des fins personnelles, familiales et dans le cadre privé, et à une période de quatre-vingt-dix (90) jours à compter de la date d'achat pour les produits utilisés

à des fins commerciales.

AUTRES DROITS

Certains Etats ne permettent pas la limitation de la durée d'une garantie implicite et certains Etats ne permettent pas l'exclusion ou la limitation des dommages accidentels ou consécutifs, de sorte que la limitation ci-dessous peut ne pas vous concerner. Cette garantie vous confère des droits légaux spécifiques et vous pouvez bénéficier d'autres droits qui varient d'un Etat à l'autre.

Pour obtenir le service de garantie, veuillez contacter dans un premier temps le revendeur chez lequel vous avez acheté ce produit ou consulter le site <http://www.dometic.com> afin de trouver un revendeur près de chez vous.

12 Service après-vente

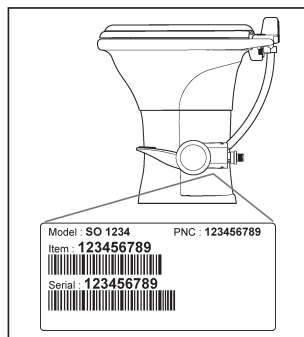
12.1 Identification modèle toilette

L'étiquette d'identification du modèle de la toilette se trouve à la base de la toilette sous la vanne hydraulique. Munissez-vous de ces informations lorsque vous contactez le service après-vente Dometic.

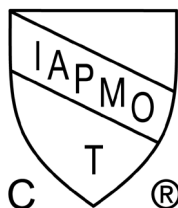
12.2 Nous contacter

Un réseau mondial conséquent est à votre disposition pour vous assister dans l'entretien et la maintenance de votre système hygiénique. Pour connaître le centre habilité le plus proche de chez vous, contactez-nous du lundi au vendredi de 8 h à 17 h.

Vous ou votre revendeur local pouvez également contacter le fournisseur de pièces le plus proche de chez vous. Vous obtiendrez ainsi une réponse rapide lorsque vous avez besoin de pièces de rechange. Ils détiennent la liste complète de la ligne de produits Dometic.



Téléphone :	1 800-321-9886 330-439-5550	Etats-Unis et Canada International
Fax:	330-496-3097 330-439-5567	Etats-Unis et Canada International
Site web:	Dometic.com	



REVISION A
Form No. 600346223 8/17
©2017 Dometic Corporation



Dometic Corporation, Sanitation Division
13128 State Rt. 226, P.O. Box 38
Big Prairie, OH 44611 USA
1-800-321-9886 • Fax: 330-496-3097
www.Dometic.com